



Individual relaxation and distraction

RELAX-RL are relaxation loungers comprising hard foam support material, optionally with or without heating in different design variants.

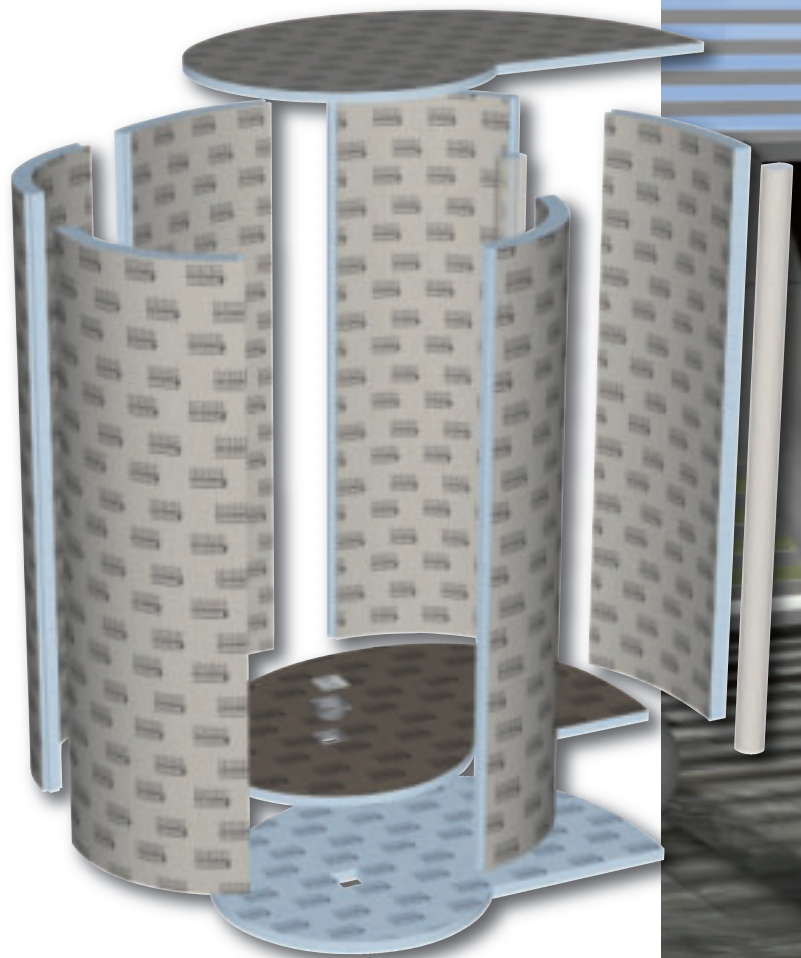
RELAX-BW are tileable bath tub construction kits made of hard foam support material, including drainage. A variety of possibilities is offered, according to the inlay elements used.

RELAX-RD, RELAX-SD, RELAX-RSE and RELAX-JUNIOR are building kits for shower design variants.



LUX ELEMENTS®-RELAX-PLUS

LUX ELEMENTS manufactures individual customised and special products for the RELAX product group. These include dimensions, thicknesses, shapes etc. that deviate from the standard program. For more information see page 8.

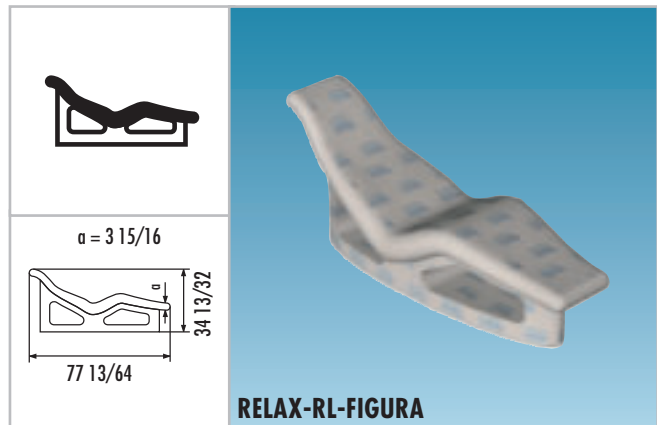
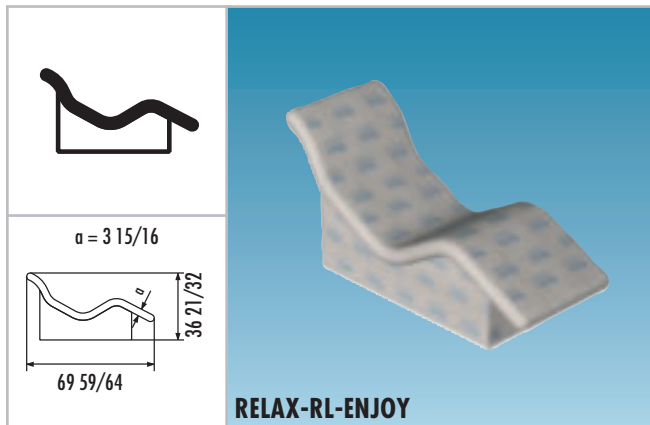
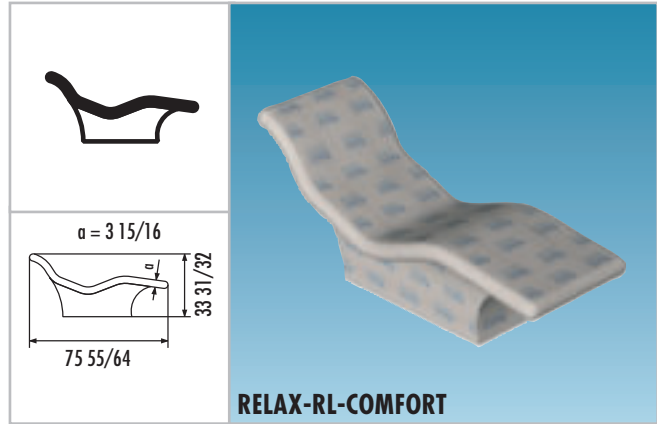
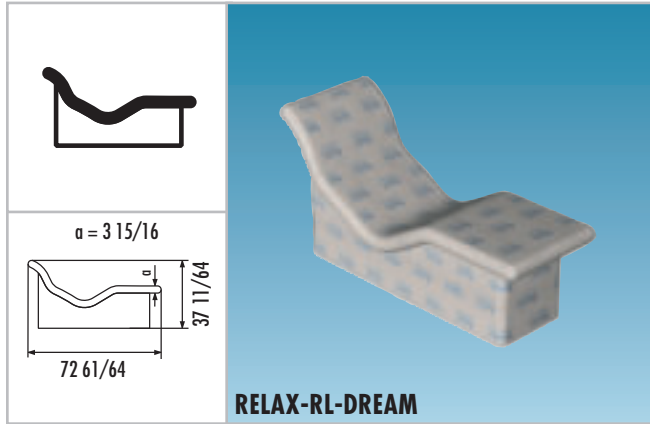






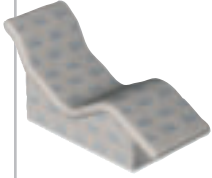
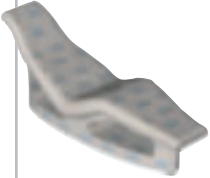


RELAX-RL – the relaxation loungers

There is a choice of four relaxation loungers of hard foam support material to extend the wellness area. They are available with or without an electrical heating system.



■ PRODUCT SPECIFICATIONS – LUX ELEMENTS®-RELAX-RL

	ARTICLE-NUMBER	ARTICLE-NAME / ARTICLE-DESCRIPTION	NOMINAL FORMATS/DIMENSIONS LENGTH x WIDTH x HEIGHT	UNIT
	LREL2001	RELAX-RI-DREAM O Relaxation lounger, construction made of hard foam support elements, without heating	72 61/64 x 27 9/16 x 37 1/4 in	piece
	LREL2002	RELAX-RI-DREAM M Relaxation lounger, construction made of hard foam support elements, with heating, electrical, incl. thermostatic controller	72 61/64 x 27 9/16 x 37 1/4 in	piece
	LREL2003	RELAX-RI-COMFORT O Relaxation lounger, construction made of hard foam support elements, without heating	75 55/64 x 27 9/16 x 33 31/32 in	piece
	LREL2004	RELAX-RI-COMFORT M Relaxation lounger, construction made of hard foam support elements, with heating, electrical, incl. thermostatic controller	75 55/64 x 27 9/16 x 33 31/32 in	piece
	LREL2005	RELAX-RI-ENJOY O Relaxation lounger, construction made of hard foam support elements, without heating	69 59/64 x 27 9/16 x 36 21/32 in	piece
	LREL2006	RELAX-RI-ENJOY M Relaxation lounger, construction made of hard foam support elements, with heating, electrical, incl. thermostatic controller	69 59/64 x 27 9/16 x 36 21/32 in	piece
	LREL2007	RELAX-RI-FIGURA O Relaxation lounger, construction made of hard foam support elements, without heating	77 13/64 x 27 9/16 x 34 13/32 in	piece
	LREL2008	RELAX-RI-FIGURA M Relaxation lounger, construction made of hard foam support elements, with heating, electrical, incl. thermostatic controller	177 13/64 x 27 9/16 x 34 13/32 in	piece



RELAX-BW

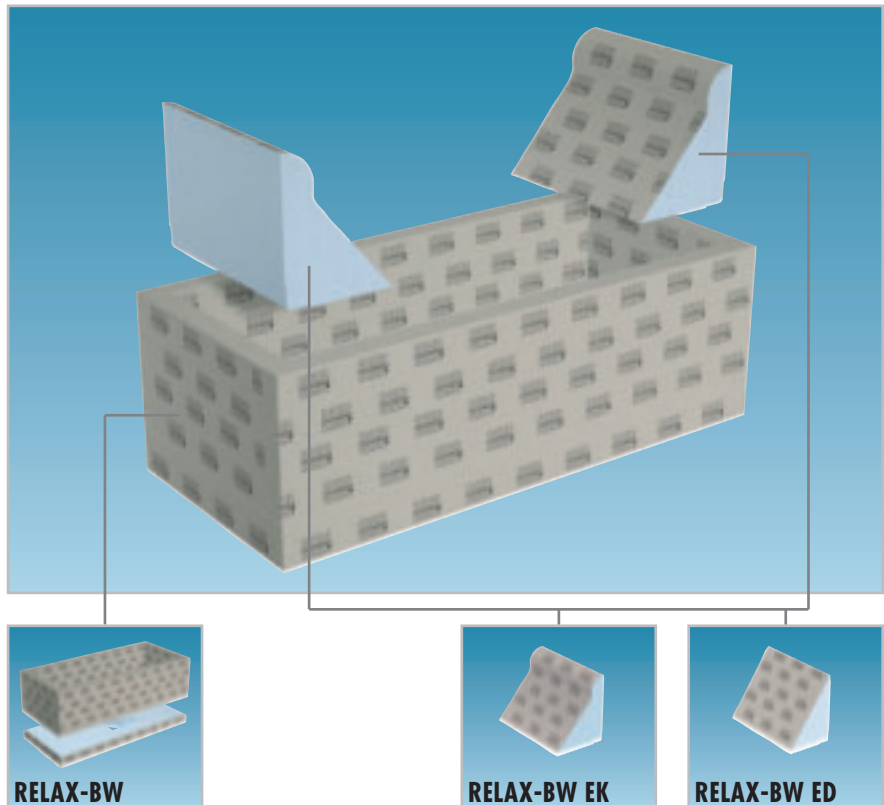
RELAX-BW are tileable bath tub construction kits, with drain and overflow fittings and substrate element, in two different sizes.

Also available as additional fittings for the interior are two inlay elements in various designs.

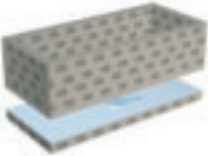





Inlay elements

The inlay elements, with the variants 'Headrest' and 'Triangle' can be installed on one or both sides.



■ PRODUCT SPECIFICATIONS – LUX ELEMENTS®-RELAX-BW

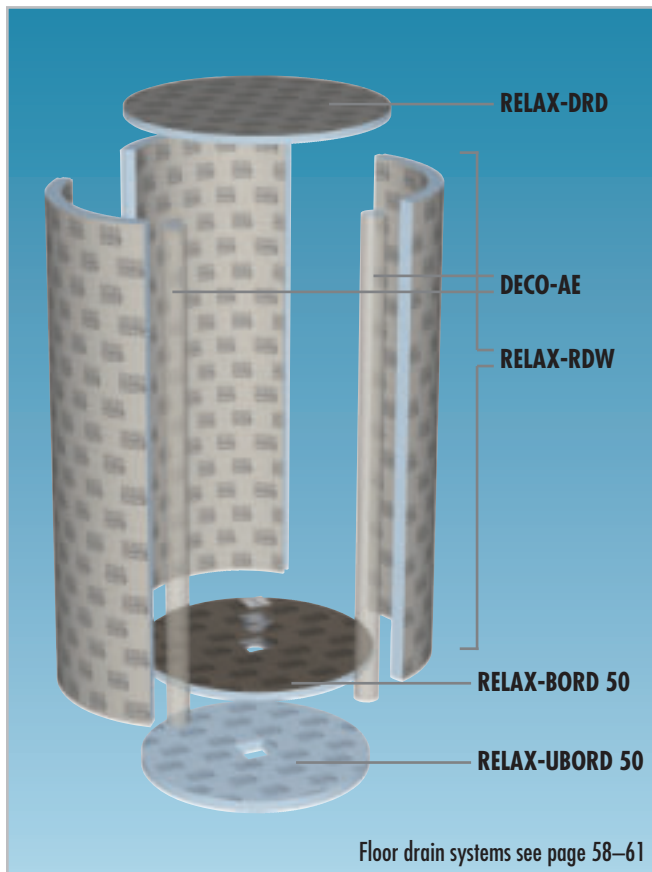
	NUMÉRO D'ARTICLE	DESIGNATION D'ARTICLE / DESCRIPTION D'ARTICLE	FORMATS NOMINAUX/DIMENSIONS LONGUEUR x LARGEUR x HAUTEUR	UNITÉ
	LREL3001	RELAX-BW 1800–2000 Bath tub construction kit, tileable, incl. drain and overflow fitting and base element	length 70 55/64–78 47/64 in, width 31 1/2 in, height 23 5/8 in	piece
	LREL3002	RELAX-BW 2000–2200 Bath tub construction kit, tileable, incl. drain and overflow fitting and base element	Length 78 47/64–86 39/64 in, width 31 1/2 in, height 23 5/8 in	piece
	LREL3101	RELAX-BW EK Bath tub mounting part suitable for both tub sides, 'Headrest' design	Length 14 1/16 in, height 17 29/32 in, width 24 51/64 in	piece
	LREL3102	RELAX-BW ED Bath tub mounting part suitable for both tub sides, 'Triangle' design	Length 11 13/16 in, height 17 29/32 in, width 24 51/64 in	piece
	LREL3901	RELAX-KIT BW Mounting kit for RELAX-BW: 23,5 kg DRY-ASK (1 x 20 kg + 1 x 3,5 kg), 393 45/64 in DRY-DB, 4 pieces DRY-DBIE, 2 pieces COL-MK, 393 45/64 in ARM-100 SK, 25 kg COL-AK		Kit

System components ARM, COL, DRY



RELAX-RD – the round shower

RELAX-RD is a building kit for a round shower with the following components:



RELAX-DRD	Dimensions	Ø
Thickness	1 37/64 in	48 13/16 in

Hard-foam cover element FLAT to fit RELAX-RDW

RELAX-RDW	Dimensions
Overall height	98 27/64 in
Material thickness	3 5/32 in
Outer diameter	48 13/16 in
Inner diameter	42 33/64 in
Entrance width (without AE)	approx. 22 3/64 in
Entrance width (with AE)	approx. 15 15/16 in
Inner surface measurement	11'485.52 in ²
Outer surface measurement	12'477.52 in ²

Hard-foam shower partition wall elements as kit in 3 segments

DECO-AE	Dimensions	Ø
Length	98 27/64 in	4 23/32 in

Hard foam finishing element, see product group DECO (page 118)

RELAX-BORD 50	Dimensions	Ø
Thickness	1 3/16 / 1 49/64 in	48 13/16 in
Square measure floor	1'426.00 in ²	

Hard foam shower base element to fit RELAX-RDW

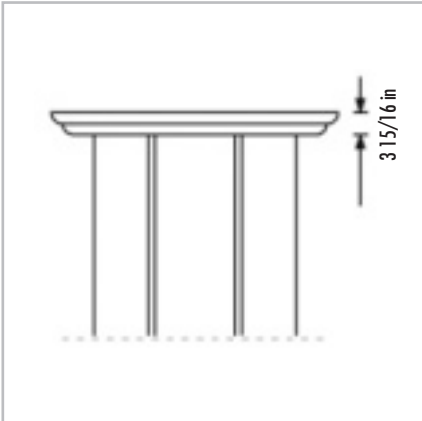
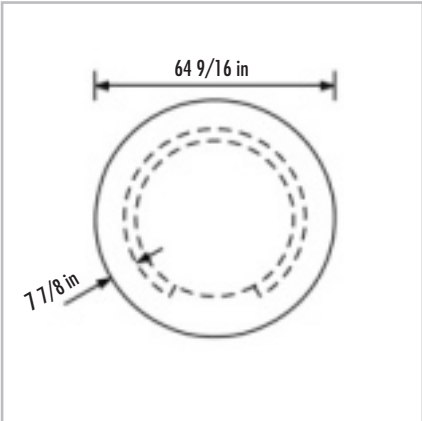
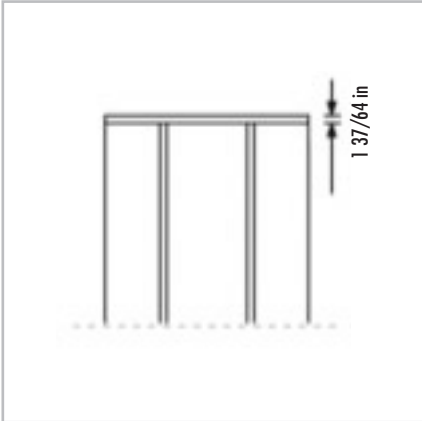
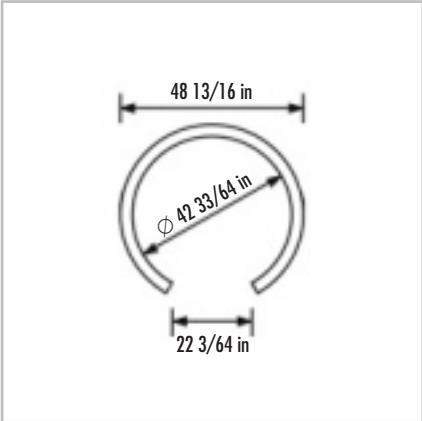
RELAX-UBORD 50	Dimensions	Ø
Thickness	2 11/64 in	48 13/16 in

Substrate element for RELAX-BORD 50

Instruction for installing the shower doors: When planning to install a shower door, a FIX-PRO-MAK (see page 135) hard plastic insert can be pre-assembled at the factory for fitting the door fastening on a custom-made basis.

RELAX-RD – Roofs

Roofs in the FLAT and CLASSIC design variants are suitable for RELAX-RD.



The overall height (roofs including RELAX-RDW) is:

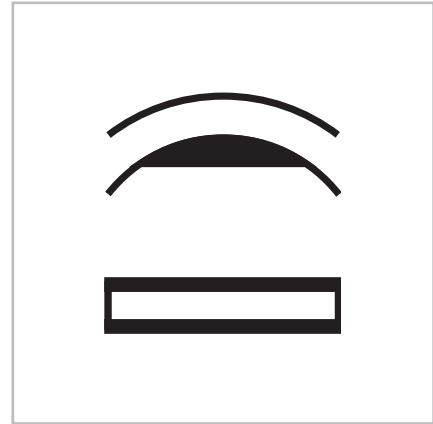
- Design FLAT: 100 in
- Design CLASSIC: 102 23/64 in



RELAX-RD – Accessories

RELAX-PA

Panel, rounded back suitable for RELAX-RDW with integrated FIX-PRO-MAK strip for fixation of the shower rod and accessories.



RELAX-KIT RD

Suitable mounting kits are provided for RELAX-RD installation and set-up with LUX ELEMENTS shower base element (RELAX-KIT-SDM) or without floor (RELAX-KIT-SDO).

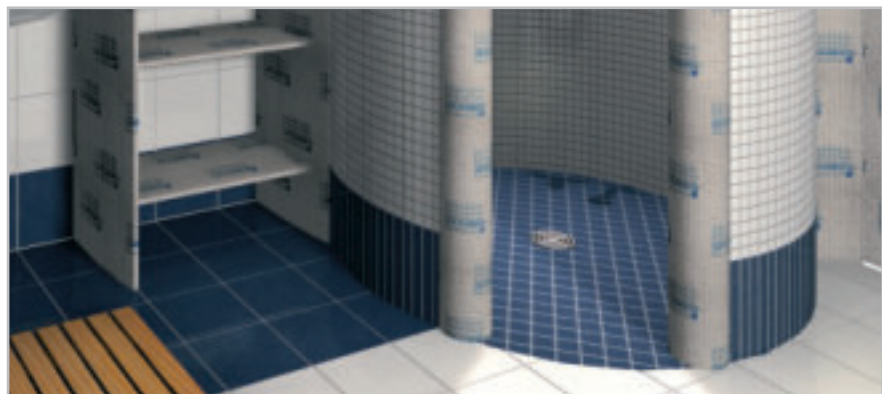


RELAX-KIT-RDM



RELAX-KIT-RDO

Suitable accessories are provided for RELAX-RD, e.g. a concave trim for connection to the wall and finishing elements for the edges. For more information please see product group DECO (beginning page 118).



■ PRODUCT SPECIFICATIONS – LUX ELEMENTS®-RELAX-RD

	ARTICLE-NUMBER	ARTICLE-NAME / ARTICLE-DESCRIPTION	NOMINAL FORMATS/DIMENSIONS LENGTH x WIDTH x HEIGHT	UNIT
	LREL4001	RELAX-BORD 50 Hard foam shower base element, with integrated and sealed floor drain support 5 5/16 x 5 5/16 in in the centre; for round shower RELAX-RDW; for floor drain supports, see floor drain systems (page 58–61)	∅ 48 13/16 in x 1 3/16 / 1 49/64 in	piece
	LREL4002	RELAX-UBORD 50 Substrate element for RELAX-BORD 50, round	∅ 48 13/16 in x 2 11/64 in	piece
	LREL4000	RELAX-RDW Hard-foam shower partition wall elements to fit RELAX-BORD 50, round, wall thickness 3 5/32 in as kit in 3 segments	Inner diameter: 42 33/64 in; Height: 98 27/64 in	set
	LREL4005	RELAX-PA Panel, rounded back, with integrated FIX-PRO-MAK strips for the installation of shower rod and accessories	13 25/32 x 1 11/32 / 0 13/64 x 98 27/64 in	piece
	LREL4003	RELAX-DRD Hard-foam cover element FLAT to fit RELAX-RD	∅ 48 13/16 in x 1 37/64 in	piece
	LREL4004	RELAX-DCRD Hard-foam cover element CLASSIC to fit RELAX-RD	∅ 64 9/16 in x 3 15/16 in	piece
	LREL4006	RELAX-KIT RDM Mounting kit for RELAX-RD with RELAX-BORD 50: 393 45/64 in ARM-100 SK, 4 pieces COL-MK, 5 x 5 kg COL-AK		Kit
	LREL4007	RELAX-KIT RDO Mounting kit for RELAX-RD without base: 393 45/64 in ARM-100 SK, 3 pieces COL-MK, 3 x 5 kg COL-AK		Kit

System components ARM, COL, DRY - accessories see DECO page 118



RELAX-SD – the curved shower

RELAX-SD is a building kit for a curved shower, left-curving or right-curving, with the following components:

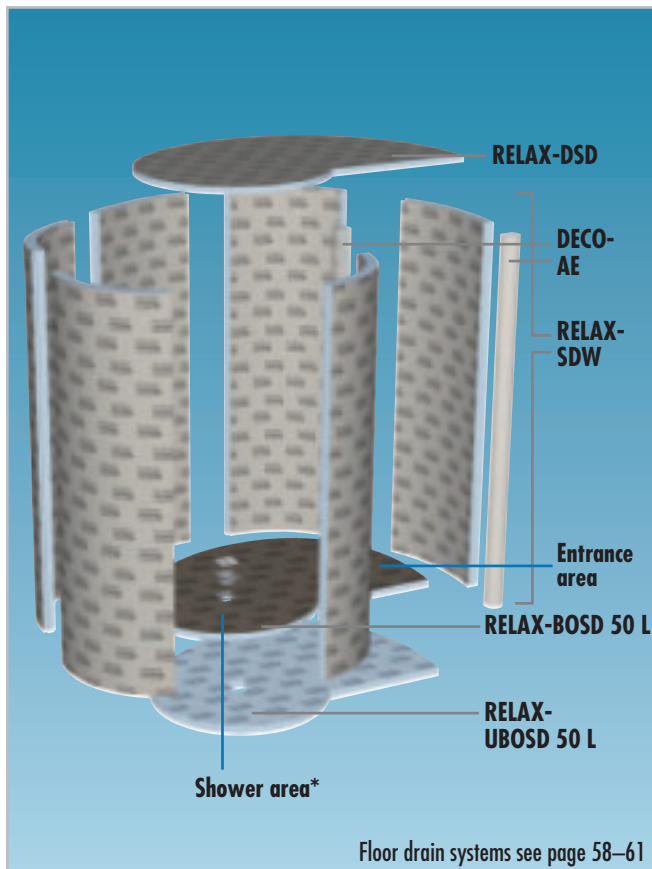


RELAX-DSD	Dimensions
Thickness	1 37/64 in

Hard-foam cover element FLAT to fit RELAX-SDW

RELAX-SDW	Dimensions
Overall height	98 27/64 in
Overall width	77 23/64 in
Overall depth	56 11/16 in
Inner width	71 1/16 in
Inner depth	50 25/64 in
Entrance width	approx. 25 3/64 in
Material thickness	3 5/32 in
Inner surface measurement	18'274.54 in ²
Outer surface measurement	19'592.04 in ²

Hard-foam shower partition wall elements as kit in 6 segments



Floor drain systems see page 58–61

DECO-AE	Dimensions	Ø
Length	98 27/64 in	4 23/32 in

Hard foam finishing element, see product group DECO (page 118)

RELAX-BOSD 50 L/R	Dimensions	
Thickness	1 3/16 / 1 49/64 in	
Square measure floor	2'650.51 in ²	

Hard foam shower base element to fit RELAX-RSW

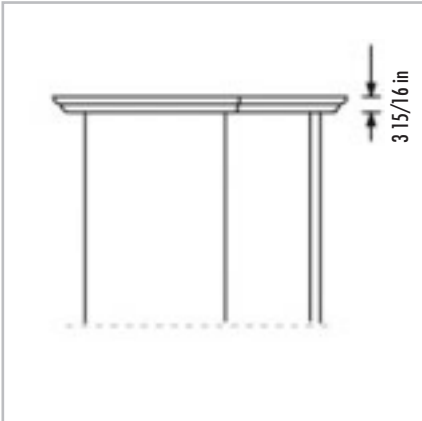
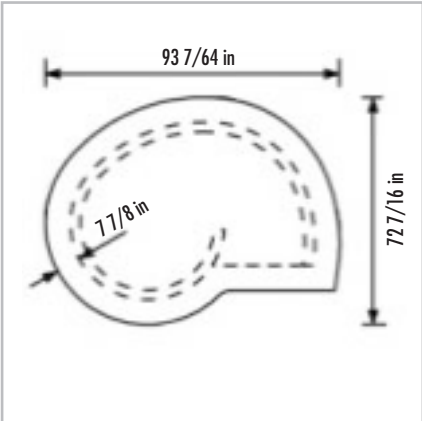
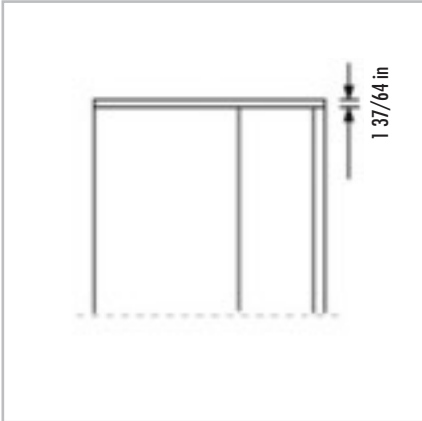
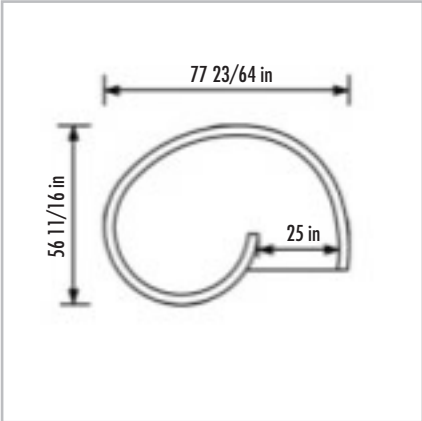
RELAX-UBOSD 50 L/R	Dimensions
Thickness	2 11/64 in

Substrate element for RELAX-BOSD 50 L/R

***Note:** the fittings are to be located in the shower area.

RELAX-SD – Roofs

Roofs in the FLAT and CLASSIC design variants are suitable for RELAX-SD.



The overall height (roofs including RELAX-SDW) is:

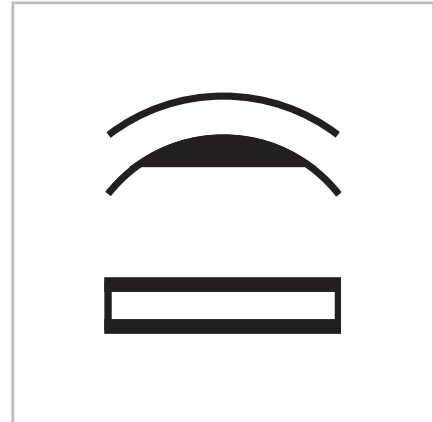
- Design FLAT: 100 in
- Design CLASSIC: 102 23/64 in



RELAX-SD – Accessories

RELAX-PA

Panel, rounded back suitable for RELAX-SDW with integrated FIX-PRO-MAK strip for fixation of the shower rod and accessories.



RELAX-KIT SD

Suitable mounting kits are provided for RELAX-SD installation and set-up with LUX ELEMENTS shower base element (RELAX-KIT-SDM) or without floor (RELAX-KIT-SDO).



RELAX-KIT-SDM



RELAX-KIT-SDO

■ PRODUCT SPECIFICATIONS – LUX ELEMENTS®-RELAX-SD

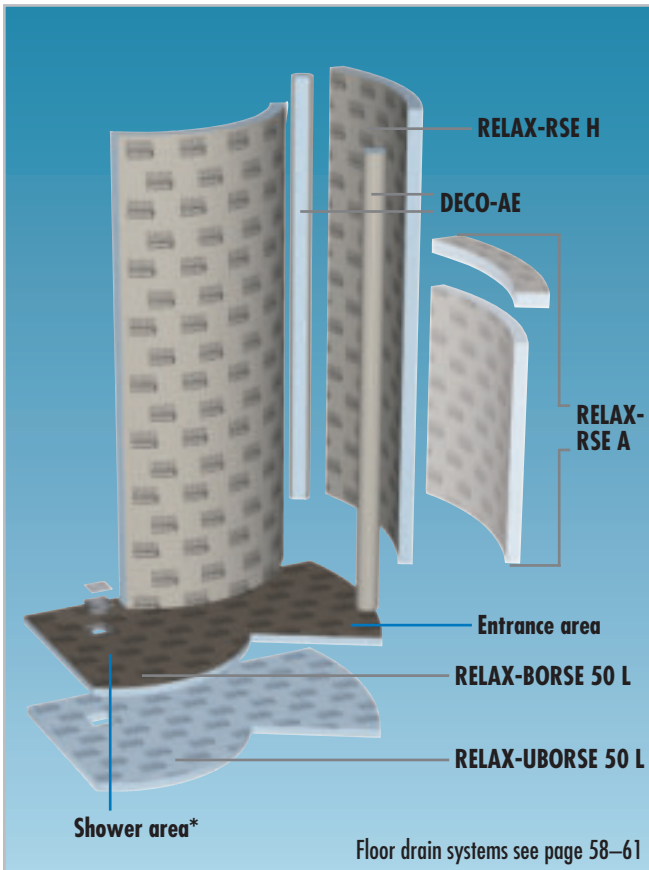
	ARTICLE-NUMBER	ARTICLE-NAME / ARTICLE-DESCRIPTION	NOMINAL FORMATS/DIMENSIONS LENGTH x WIDTH x HEIGHT	UNIT
	LREL5001	RELAX-BOSD 50 L Hard foam shower base element, with integrated and sealed floor drain support frame 5 5/16 x 5 5/16 in, left-curving, for curved shower RELAX-SDW; for floor drain supports, see floor drain systems (page 58–61)	77 23/64 x 56 11/16 x 1 3/16 / 1 49/64 in, Square measure floor: 2'650.51 in²	piece
	LREL5002	RELAX-UBOSD 50 L Substrate element for RELAX-BOSD 50 L left-curving	77 23/64 x 56 11/16 x 2 11/64 in	piece
	LREL5003	RELAX-BOSD 50 R Hard foam shower base element, with integrated and sealed floor drain support frame 5 5/16 x 5 5/16 in, right-curving, for curved shower RELAX-SDW; for floor drain supports, see floor drain systems (page 58–61)	77 23/64 x 56 11/16 x 1 3/16 / 1 49/64 in, Square measure floor: 2'650.51 in²	piece
	LREL5004	RELAX-UBOSD 50 R Substrate element for RELAX-BOSD 50 R right-curving	77 23/64 x 56 11/16 x 2 11/64 in	piece
	LREL5000	RELAX-SDW Hard-foam shower partition wall element to fit RELAX-BOSD 50 L and R, curved, wall thickness 3 5/32 in, as kit in 6 segments	Height: 98 27/64 in	set
	LREL4005	RELAX-PA Panel, rounded back, with integrated FIX-PRO-MAK strips for the installation of shower rod and accessories	13 25/32 x 1 11/32 / 0 13/64 x 98 27/64 in	piece
	LREL5005	RELAX-DSD Hard-foam cover element FLAT to fit RELAX-SD	1 37/64 in thickness	piece
	LREL5006	RELAX-DCSD R Hard-foam cover element CLASSIC to fit RELAX-SD right-curving	93 7/64 x 72 7/16 x 3 15/16 in	piece
	LREL5007	RELAX-DCSD L Hard-foam cover element CLASSIC to fit RELAX-SD left-curving	93 7/64 x 72 7/16 x 3 15/16 in	piece
	LREL5008	RELAX-KIT SDM Mounting kit for RELAX-SD with BOSD 50: 1181 7/64 in ARM-100 SK, 8 pieces COL-MK, 2 x 25 kg COL-AK		Kit
	LREL5009	RELAX-KIT SDO Mounting kit for RELAX-SD without base: 1181 7/64 in ARM-100 SK, 5 pieces COL-MK, 4 x 5 kg COL-AK		Kit

System components ARM, COL, DRY - accessories see DECO page 118



RELAX-RSE – the space-saving corner shower

RELAX-RSE is a building kit for a space-saving corner shower with two offset walls. This is available either with two high walls or optionally with one high and one half-high wall with shelving.



RELAX-RSE H	Dimensions
Overall height	98 27/64 in
Overall width	72 53/64 in
Overall depth	44 31/64 in
Inner width	69 11/16 in
Inner depth	41 11/32 in
Entrance width	25 13/64 in
Material thickness	3 5/32 in
Inner surface measurement	9'486.02 in ²
Outer surface measurement	9'331.02 in ²

2 hard foam shower partition wall elements (each 98 27/64 in height) as kit

RELAX-RSE A	Dimensions
Overall height	98 27/64 in
Overall width walls	72 53/64 in
Overall width incl. shelf	76 49/64 in
Overall depth	44 31/64 in
Inner width	69 11/16 in
Inner depth	41 11/32 in
Entrance width	25 13/64 in
Material thickness	3 5/32 in
Inner surface measurement	7'037.01 in ²
Outer surface measurement	7'130.01 in ²

2 hard foam shower partition wall elements (98 27/64 in, 47 1/4 in + shelf) as kit

DECO-AE	Dimensions	Ø
Length	98 27/64 in	4 23/32 in

See product group DECO (page 118). The application of DECO-AE is not possible on the half side when using the shelf.

RELAX-BORSE 50 L/R	Dimensions
Thickness	1 3/16 / 1 49/64 in
Square measure floor	2'836.51 in ²


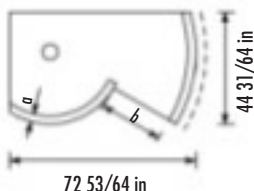
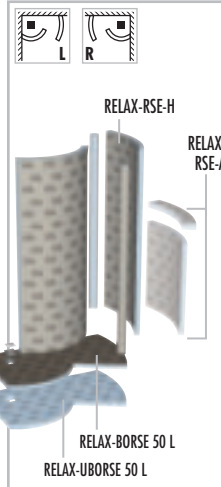


Hard foam shower base element to fit RELAX-RSE H and RELAX-RSE A

RELAX-UBORSE 50 L/R	Dimensions
Thickness	2 11/64 in

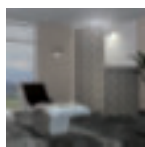
Substrate element for RELAX-BORSE 50 L/R

***Note:** the fittings are to be located in the shower area.

■ PRODUCT SPECIFICATIONS – LUX ELEMENTS®-RELAX-RSE

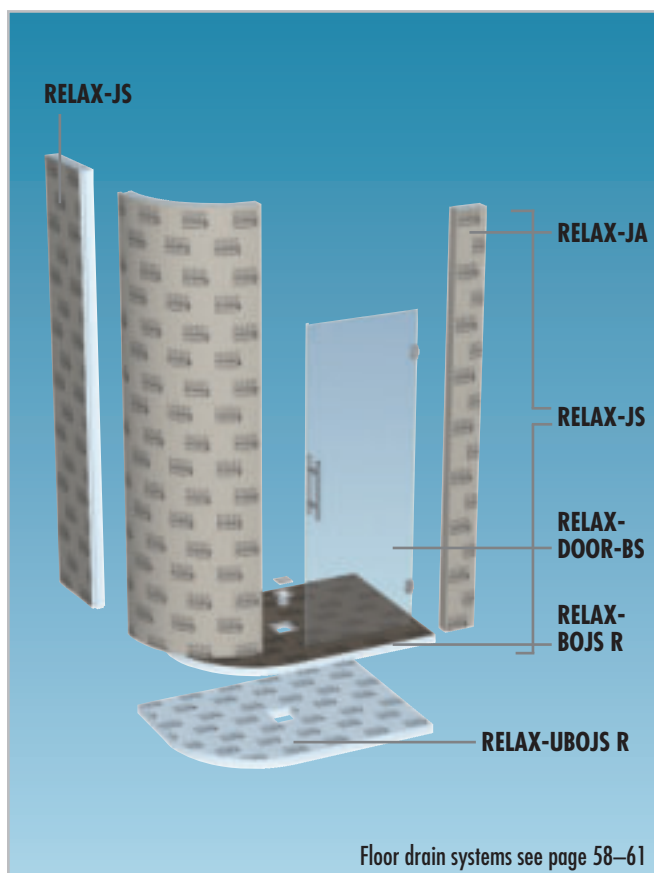
ARTICLE-NUMBER	ARTICLE-NAME / ARTICLE-DESCRIPTION	NOMINAL FORMATS/DIMENSIONS LENGTH x WIDTH x HEIGHT	UNIT
 <p>RELAX-RSE-H RELAX-RSE-A</p>		<p>a = 3 5/32 in b = 25 13/64 in</p>	
	LREL6002 RELAX-BORSE 50 L Hard foam shower base element, with integrated and sealed floor drain support frame 5 5/16 x 5 5/16 in; left-curving, for space-saving corner showers RELAX-RSE-H and RELAX-RSE-A; for floor drain supports, see floor drain systems (page 58–61)	72 53/64 x 44 31/64 x 1 3/16 / 1 49/64 in	piece
	LREL6003 RELAX-UBORSE 50 L Substrate element for RELAX-BORSE 50 L, left-curving	72 53/64 x 44 31/64 x 2 11/64 in	piece
	LREL6004 RELAX-BORSE 50 R Hard foam shower base element, with integrated and sealed floor drain support frame 5 5/16 x 5 5/16 in; right-curving, for space-saving corner showers RELAX-RSE-H and RELAX-RSE-A; for floor drain supports, see floor drain systems (page 58–61)	72 53/64 x 44 31/64 x 1 3/16 / 1 49/64 in	piece
	LREL6005 RELAX-UBORSE 50 R Substrate element for RELAX-BORSE 50 R, right-curving	72 53/64 x 44 31/64 x 2 11/64 in	piece
	LREL6000 RELAX-RSE-H 2 hard foam shower partition wall elements, each 98 27/64 in height, matches RELAX-BORSE 50 L and R, wall thickness 3 5/32 in, as a kit	height: 98 27/64 / 98 27/64 in, thickness: 3 5/32 in	set
	LREL6001 RELAX-RSE-A 2 hard foam shower partition wall elements, 1 x 98 27/64 in height, 1 x 47 1/4 in height plus shelf, matches RELAX-BORSE 50 L and R, wall thickness 3 5/32 in, as a kit	height: 98 27/64 / 47 1/4 in, thickness: 3 5/32 in	set
	 LREL6006 RELAX-KIT RSEM Mounting kit for RELAX-RSE with RELAX-BORSE 50: 393 45/64 in ARM-100 SK, 4 pieces COL-MK, 30 kg COL-AK, 393 45/64 in DRY-DB, 1 piece DRY-DBIE, 3,5 kg DRY-ASK		Kit
 LREL6007 RELAX-KIT RSEO Mounting kit for RELAX-RSE without base: 393 45/64 in ARM-100 SK, 2 pieces COL-MK, 3 x 5 kg COL-AK		Kit	

System components ARM, COL, DRY · accessories see DECO page 118



RELAX-JUNIOR

RELAX-JUNIOR is a building kit in two sizes complete with glass door for a corner shower. The RELAX-JA mounted part allows the RELAX-JS standard version to be increased in size.



RELAX-JS	Dimensions
Overall height	98 27/64 in
Overall width	49 39/64 in
Overall depth	39 3/8 in
Inner width	46 29/64 in
Inner depth	36 7/32 in
Entrance width	approx. 27 9/16 in
Material thickness	3 5/32 in
Inner surface measurement	4'929.01 in ²
Outer surface measurement	5'115.01 in ²

Hard-foam shower partition wall elements as kit in 2 segments

RELAX-JS + RELAX-JA	Dimensions
Overall height	98 27/64 in
Overall width	57 3/32 in
Overall depth	39 3/8 in
Inner width	53 15/16 in
Inner depth	36 7/32 in
Entrance width	approx. 27 9/16 in
Material thickness	3 5/32 in
Inner surface measurement	5'967.51 in ²
Outer surface measurement	5'843.51 in ²

Hard-foam shower partition wall elements as kit in 2 segments + attachment

RELAX-DOOR-BS	Dimensions
Glas width	26 57/64 in
Glas height	74 13/32 in
Installation dimension width	27 11/64 in

Glass door ESG 8 mm

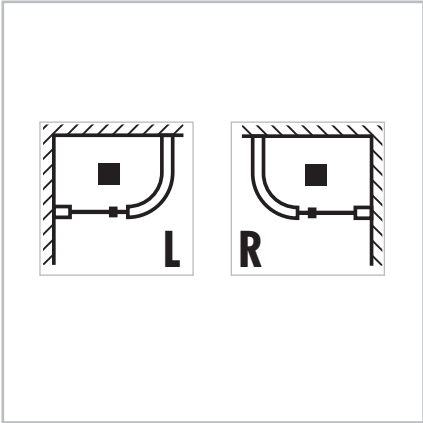
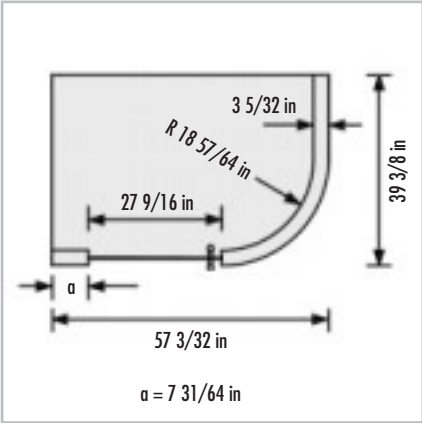
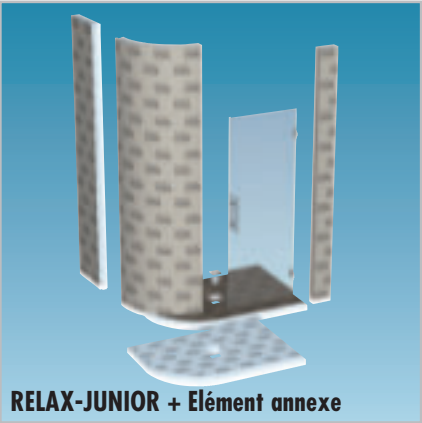
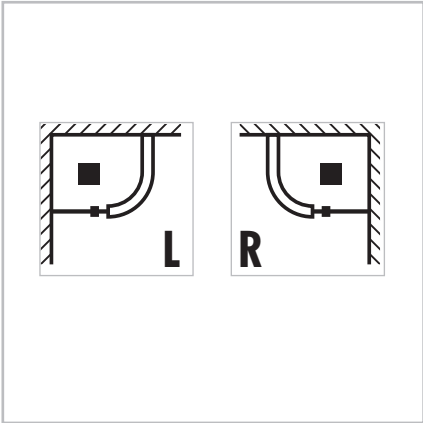
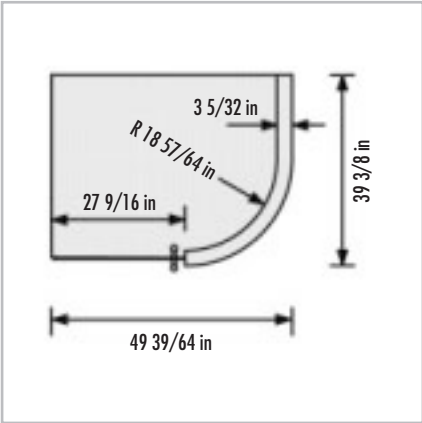
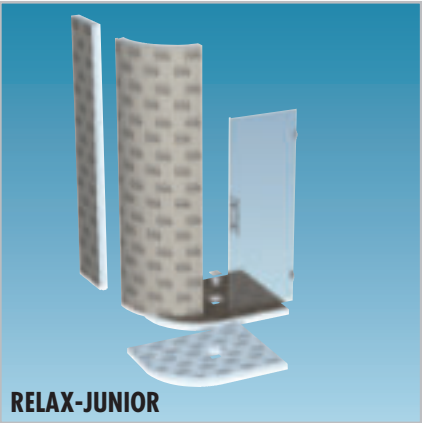
Dimensions	RELAX-BOJS L/R	RELAX-UBOJS L/R
Thickness	1 3/16 / 1 49/64 in	2 11/64 in
Square measure floor	1'829.00 in ²	

Hard foam shower element / substrate element for RELAX-JS

Dimensions	RELAX-BOJSA L/R	RELAX-UBOJSA L/R
Thickness	1 3/16 / 1 49/64 in	2 11/64 in
Square measure floor	2'123.50 in ²	

Hard foam shower element / substrate element for RELAX-JS + RELAX-JA

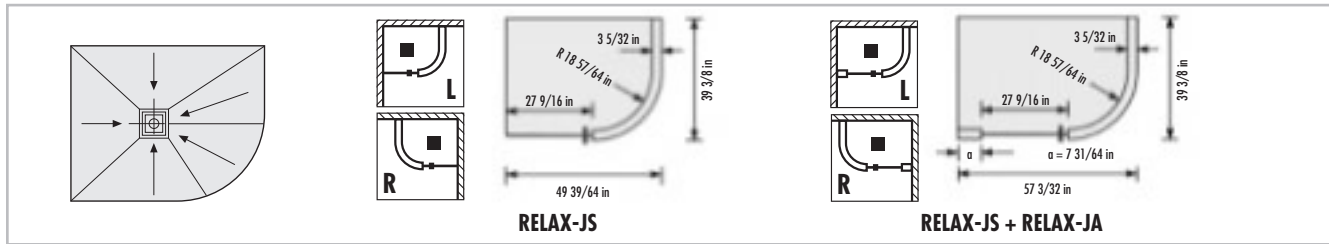
The products DECO-HK 100 or DECO-HK 200 (page 120) are suitable to round off corners to the wall or within the RELAX-JUNIOR (see illustration above).





■ **PRODUCT SPECIFICATIONS – LUX ELEMENTS®-RELAX-JUNIOR**



ARTICLE-NUMBER	ARTICLE-NAME / ARTICLE-DESCRIPTION	NOMINAL FORMATS/DIMENSIONS LENGTH x WIDTH x HEIGHT	UNIT
----------------	------------------------------------	--	------



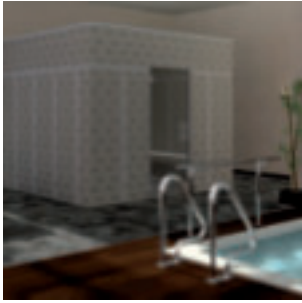
	LREL7002	RELAX-BOJS L Hard foam shower base element, with integrated and sealed floor drain support frame 5 5/16 x 5 5/16 in, for corner shower RELAX-JS in left-hand corner; for floor drain supports, see floor drain systems (page 58–61)	49 39/64 x 39 3/8 x 1 3/16 / 1 49/64 in	piece
	LREL7003	RELAX-UBOJS L Substrate element for RELAX-BOJS L	49 39/64 x 39 3/8 x 2 11/64 in	piece
	LREL7004	RELAX-BOJSA L Hard foam shower base element, with integrated and sealed floor drain support frame 5 5/16 x 5 5/16 in, for corner shower RELAX-JS in combination with RELAX-JA in left-hand corner; for floor drain supports, see floor drain systems (page 58–61)	57 31/64 x 39 3/8 x 1 3/16 / 1 49/64 in	piece
	LREL7005	RELAX-UBOJSA L Substrate element for RELAX-BOJSA L	57 31/64 x 39 3/8 x 2 11/64 in	piece
	LREL7006	RELAX-BOJS R Hard foam shower base element, with integrated and sealed floor drain support frame 5 5/16 x 5 5/16 in, for corner shower RELAX-JS in right-hand corner; for floor drain supports, see floor drain systems (page 58–61)	49 39/64 x 39 3/8 x 1 3/16 / 1 49/64 in	piece
	LREL7007	RELAX-UBOJS R Substrate element for RELAX-BOJS R	49 39/64 x 39 3/8 x 2 11/64 in	piece
	LREL7008	RELAX-BOJSA R Hard foam shower base element, with integrated and sealed floor drain support frame 5 5/16 x 5 5/16 in, for corner shower RELAX-JS in combination with RELAX-JA in right-hand corner; for floor drain supports, see floor drain systems (page 58–61)	57 31/64 x 39 3/8 x 1 3/16 / 1 49/64 in	piece
	LREL7009	RELAX-UBOJSA R Substrate element for RELAX-BOJSA R	57 31/64 x 39 3/8 x 2 11/64 in	piece
	LREL7000	RELAX-JS Hard foam shower partition wall element, matches RELAX-BOJS, curved, as a kit in 2 segments	Height: 98 27/64 in, thickness: 3 5/32 in	set
	LREL7001	RELAX-JA Hard foam shower partition wall extension element incl. FIX-PRO-MAK strips for door fitting	7 31/64 x 98 27/64 x 3 5/32 in	piece
LREL7010	RELAX-DOOR-BS Glass door ESG 8 mm, incl. hinge plates and stainless steel handle, right and left hinged installation	Installation dimension: 27 11/64 in, glass width: 26 57/64 in, glass height: 74 13/32 in	piece	

Contd. on page 95

■ PRODUCT SPECIFICATIONS – LUX ELEMENTS®-RELAX-JUNIOR

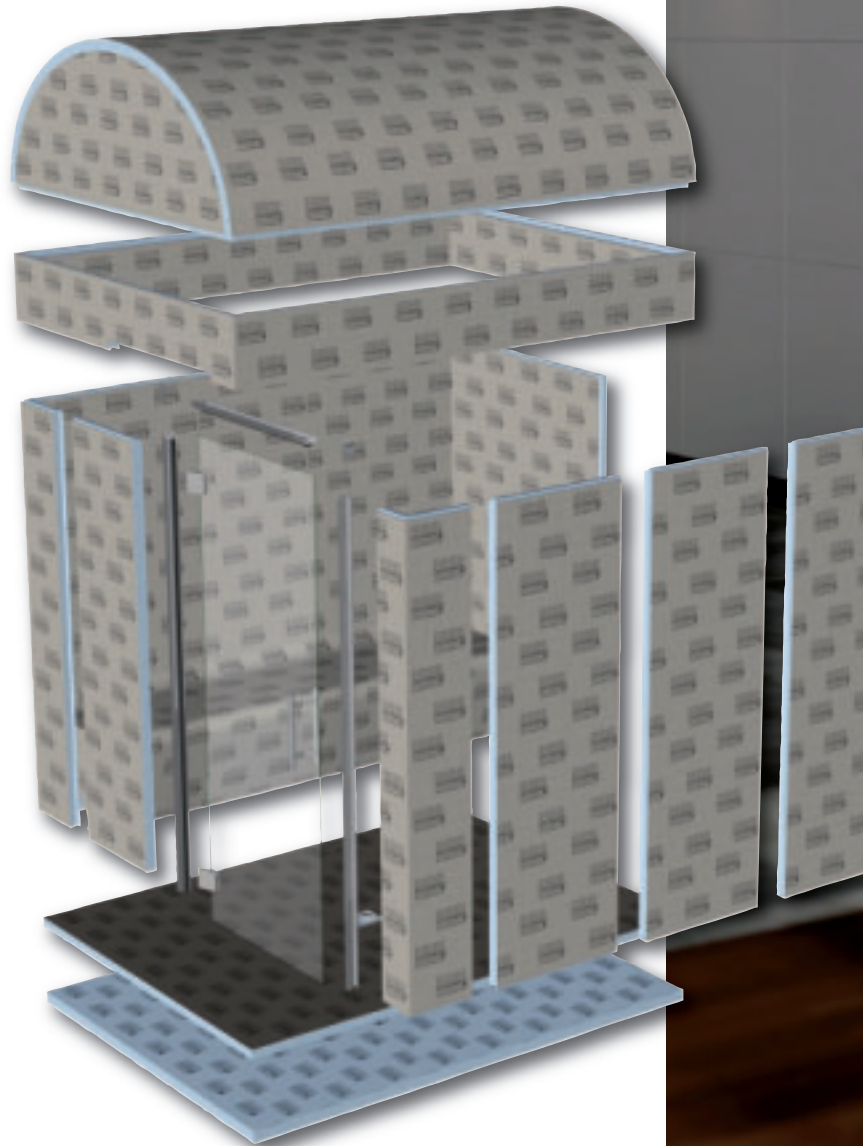
	ARTICLE-NUMBER	ARTICLE-NAME / ARTICLE-DESCRIPTION	NOMINAL FORMATS/DIMENSIONS LENGTH x WIDTH x HEIGHT	UNIT
	LREL7011	RELAX-KIT-JM Mounting kit for RELAX-JUNIOR with RELAX-BOJS or RELAX-BOJSA: 393 45/64 in ARM-100 SK, 3 pieces COL-MK, 25 kg COL-AK, 393 45/64 in DRY-DB, 3 pieces DRY-DBIE, 3,5 kg DRY-ASK		Kit
	LREL7012	RELAX-KIT-JO Mounting kit for RELAX-JUNIOR without base: 393 45/64 in ARM-100 SK, 3 pieces COL-MK, 3 x 5 kg COL-AK		Kit

System components ARM, COL, DRY - accessories see DECO page 118



Steam bath/room constructions

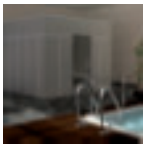
MODUL are rectangular steam room constructions in firmly defined dimensional gradations with five roof and eight seat variants. The cabins are delivered, including door, as a kit.



LUX ELEMENTS®-MODUL-PLUS

LUX ELEMENTS manufactures individual customised and special products for the MODUL product group. These include dimensions, thicknesses, shapes etc. that deviate from the standard program. For more information see page 8.

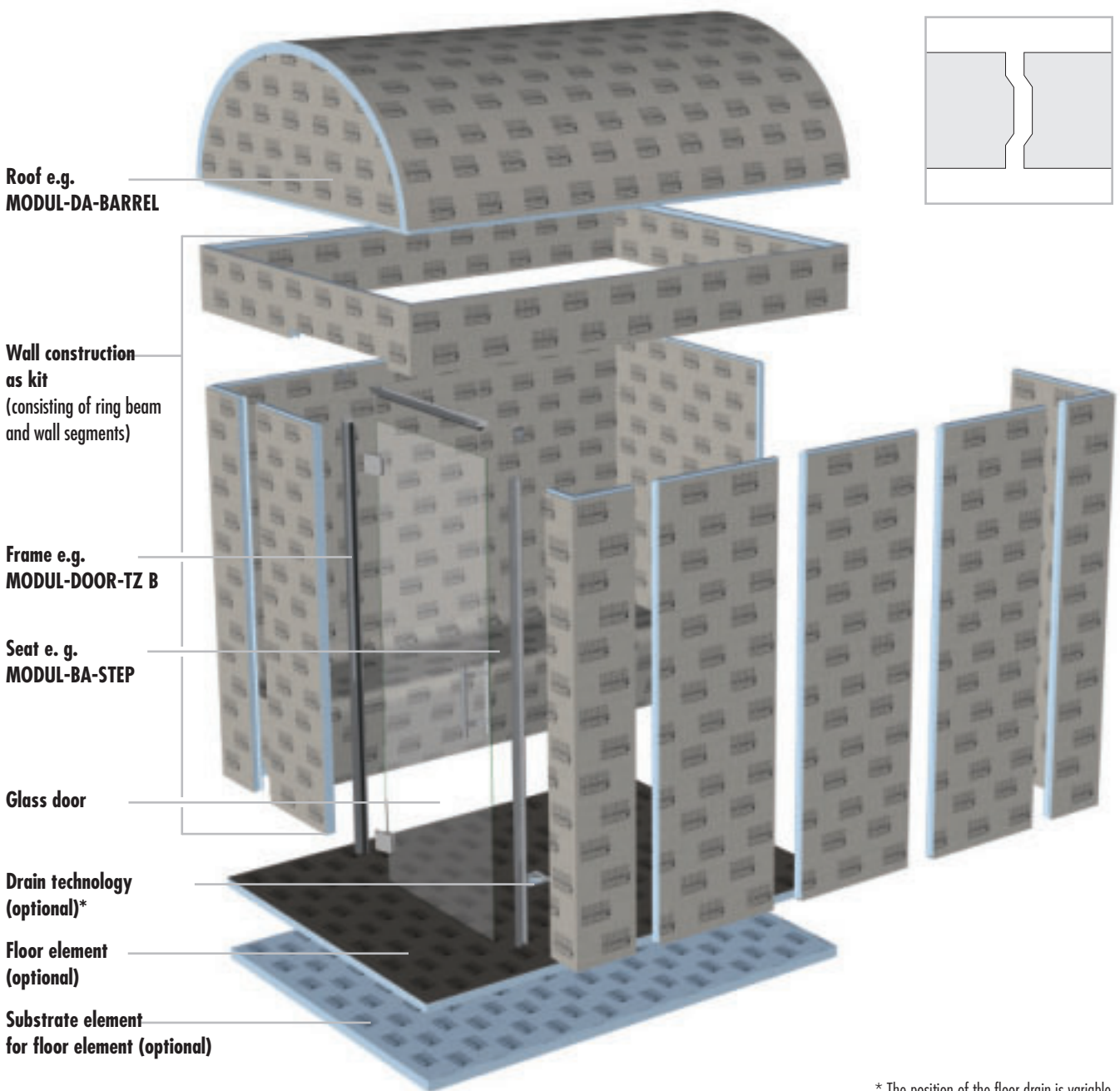




The construction

A MODUL steam room is a square or rectangular cabin of hard foam support material of between 59 1/16 x 59 1/16 in and 118 7/64 x 118 7/64 in and is made up of the following components:

- Roof
- Wall construction as kit
- Seat
- Glass door
- Aluminium door frame
- Floor element (optional)
- Substrate element for floor element (optional)
- Drain technology (optional)*

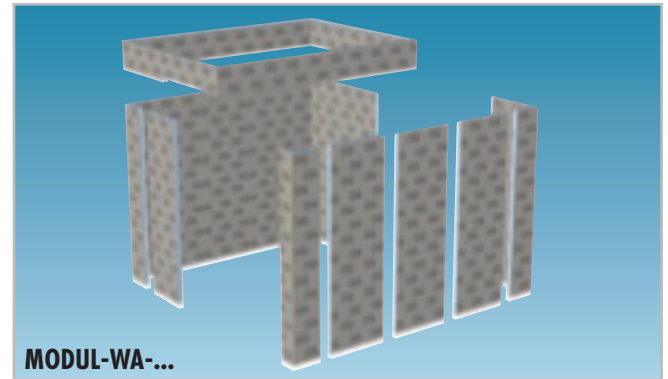


* The position of the floor drain is variable

Wall constructions

Construction set for walls, height 82 43/64 in (without surcharge possible up to 98 27/64 in), 1 31/32 in thick, segment connection by tongue and groove principle.

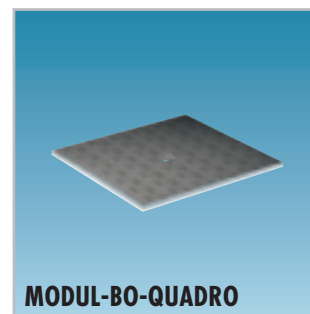
- **MODUL-WA-QUADRO**
Form: square
- **MODUL-WA-CLASSIC**
Form: rectangle



Floor elements

Floor elements with integrated and sealed floor drain support frame 5 5/16 x 5 5/16 in, 1 3/16 / 1 49/64 in thick.
For drain technology see LUX ELEMENTS®-TUB (page 58–61).

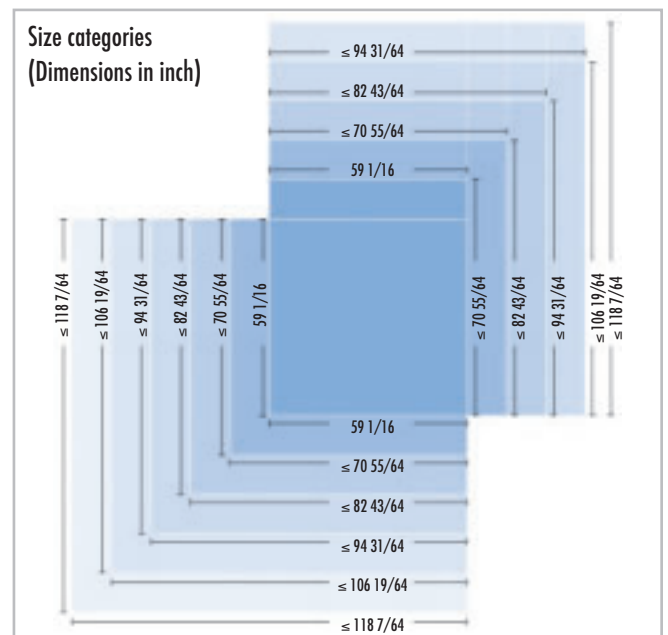
- **MODUL-BO-QUADRO**
Floor elements for wall construction QUADRO
- **MODUL-BO-CLASSIC**
Floor elements for wall construction CLASSIC



Substrate elements

Substrate elements, 2 11/64 in thick.

- **MODUL-UBO-QUADRO**
Substrate element for floor element QUADRO
- **MODUL-UBO-CLASSIC**
Substrate element for floor element CLASSIC

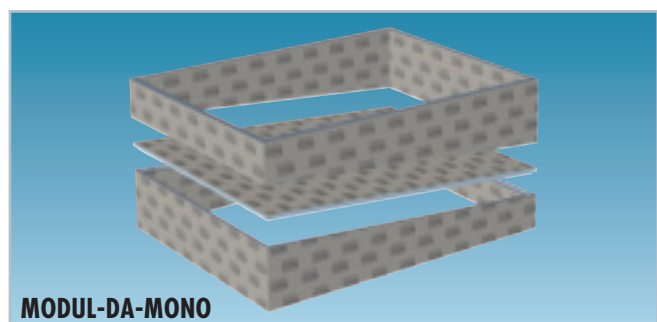
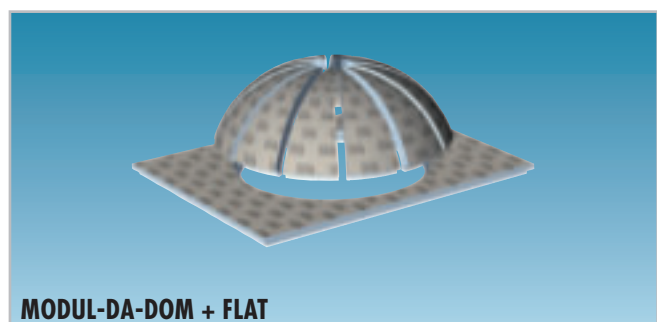
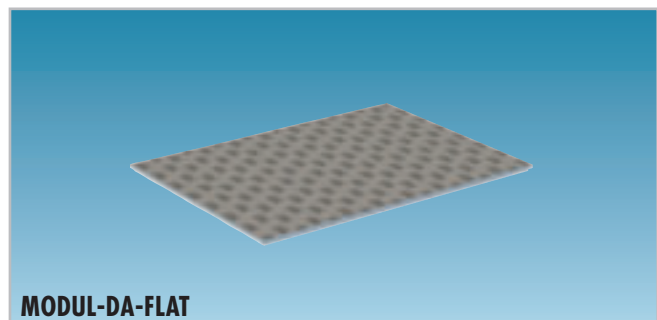
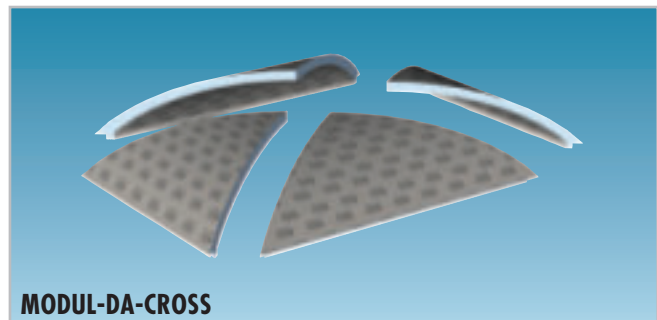
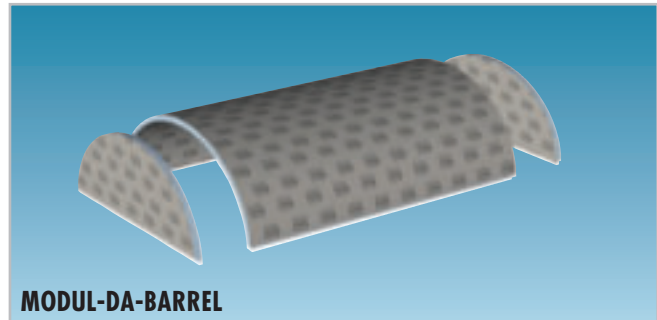




The roof variants

There are five different roof design variants to choose from:

- **MODUL-DA-BARREL**
the barrel roof design
- **MODUL-DA-CROSS**
the cross-vault roof shape
- **MODUL-DA-FLAT**
the simple flat roof shape
- **MODUL-DA-DOM + FLAT**
the combination of flat roof and dome
- **MODUL-DA-MONO**
the monopitch roof with panel



Accessories

- Aluminium door frames, custom-made, as block profile (DOOR-TZ B) or flat profile (DOOR-TZ F, also available in standard size). Surface polished similar to stainless steel, anodised, with locking mechanism and hinges for glass doors.
- MODUL-DOOR-GT – Glass door ESG 8 mm, custom-made, or standard size, incl. drilling for door knob or handle bar.
- MODUL-DOOR-TK – Door knob similar to stainless steel, polished.
- MODUL-DOOR-GS – Stainless steel handle bar brushed.
- Various Mounting kits for wall and floor constructions, depending on the size.
- For suitable drainage see LUX ELEMENTS®-TUB, p. 58–61.



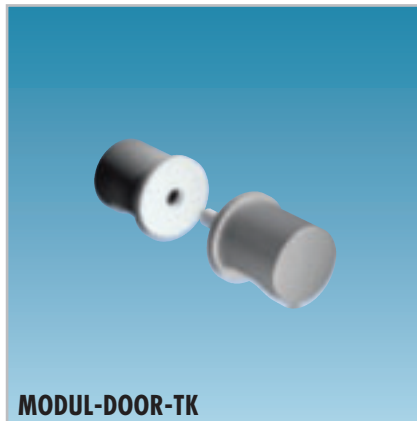
MODUL-DOOR-TZ B



MODUL-DOOR-TZ F



MODUL-DOOR-GT

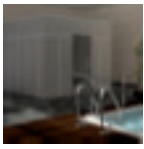


MODUL-DOOR-TK



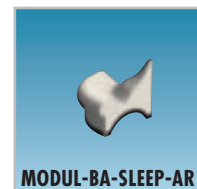
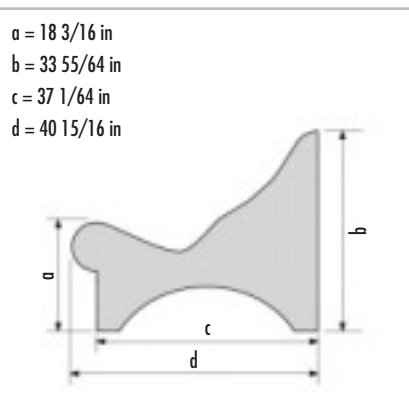
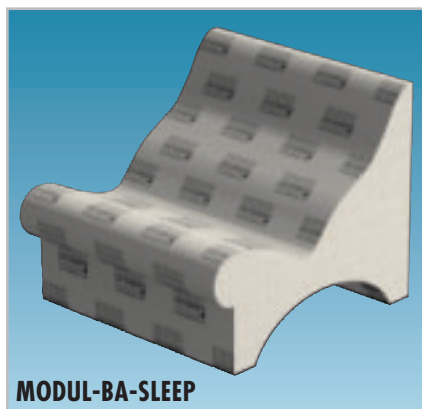
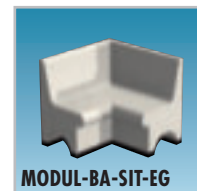
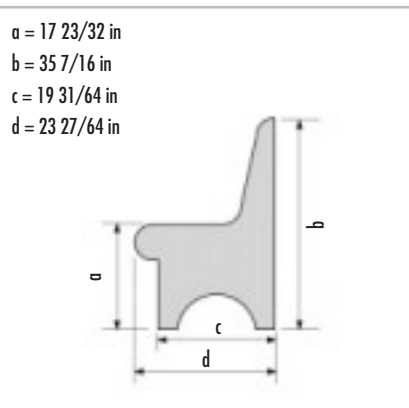
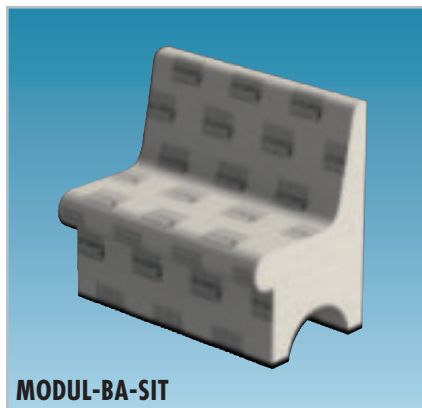
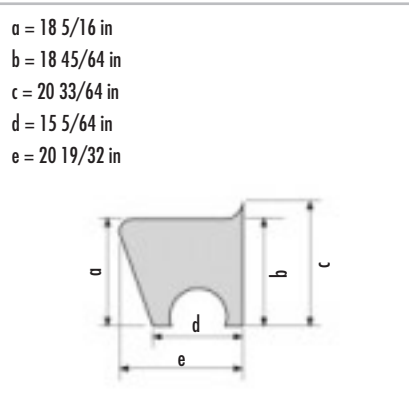
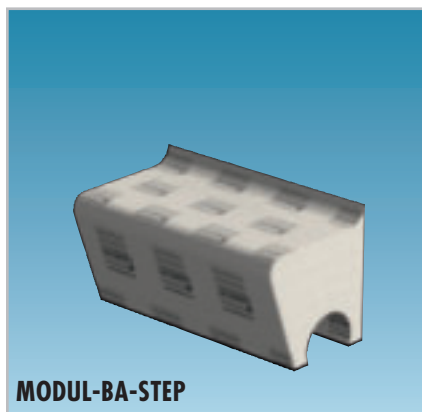
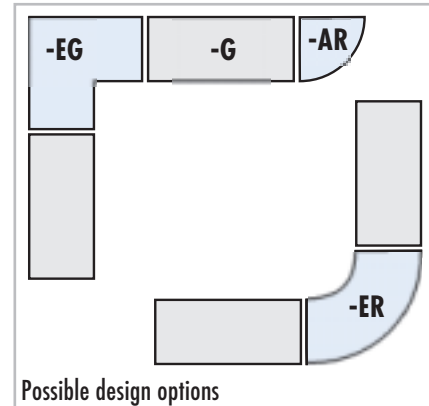
MODUL-DOOR-GS

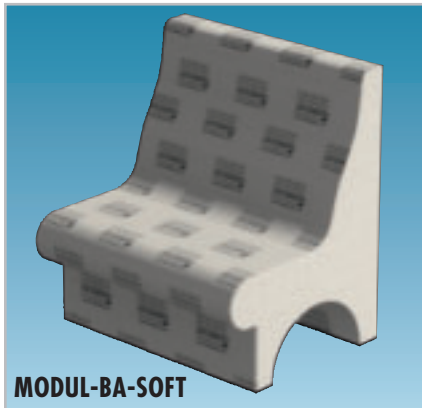




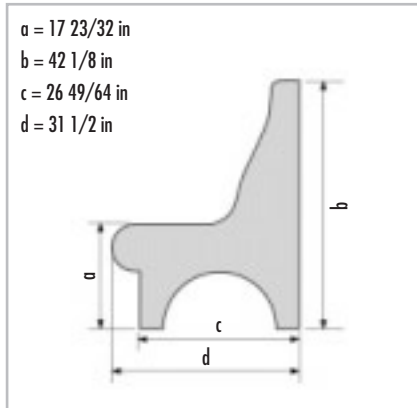
The seat variants

For outfit purposes, there is a choice of eight seat design variants depending on cabin size and personal taste. For the corner design choose either mitre (...EG) or curvature (...ER). Possible finishing elements: round segmented bench end (... AR), closed bench end (... BG) or a custom-made arm rest. As an option, either a milling for the on-site installation of water heaters or an electrical heating set integrated at the factory with temperature sensor and temperature regulator can be ordered.





MODUL-BA-SOFT



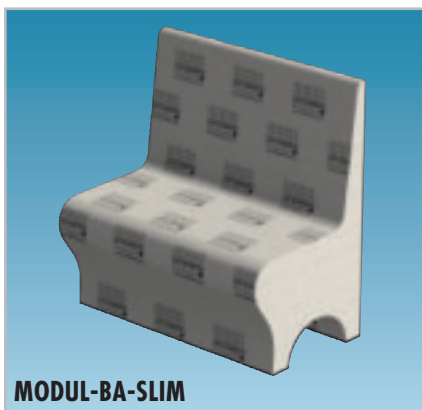
MODUL-BA-SOFT-EG



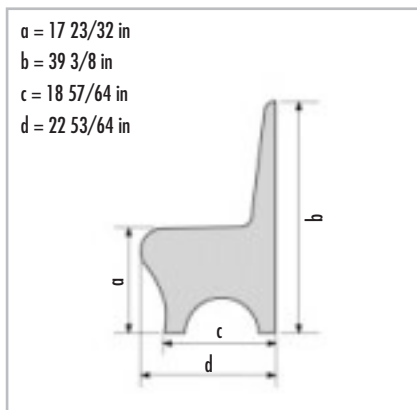
MODUL-BA-SOFT-ER



MODUL-BA-SOFT-AR



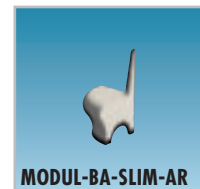
MODUL-BA-SLIM



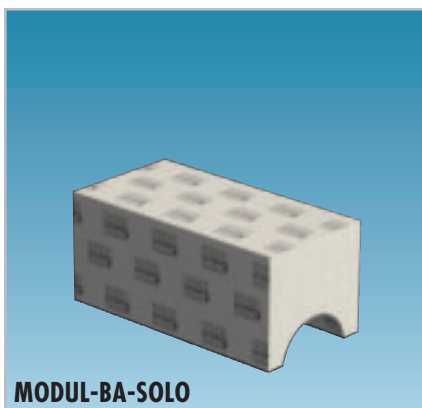
MODUL-BA-SLIM-EG



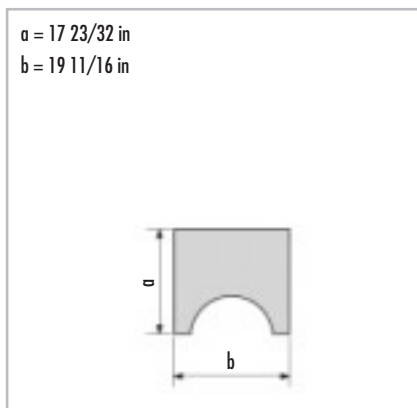
MODUL-BA-SLIM-ER



MODUL-BA-SLIM-AR



MODUL-BA-SOLO



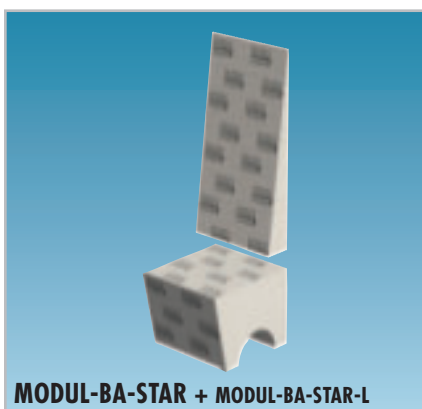
MODUL-BA-SOLO-EG



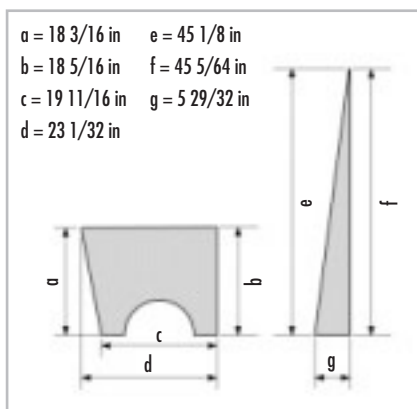
MODUL-BA-SOLO-ER



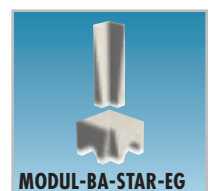
MODUL-BA-SOLO-AR



MODUL-BA-STAR + MODUL-BA-STAR-L



MODUL-BA-STAR-L

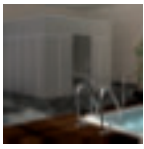


MODUL-BA-STAR-EG



MODUL-BA-STAR-AE





MODUL-BA-FLOAT

The MODUL-BA-FLOAT is a tileable seat variant in "floating" design, which makes the optical impression of more space, due to its filigree construction. The assembly of the bench takes place by way of a flexible, adaptable stainless steel substructure (straight or with corner elements).

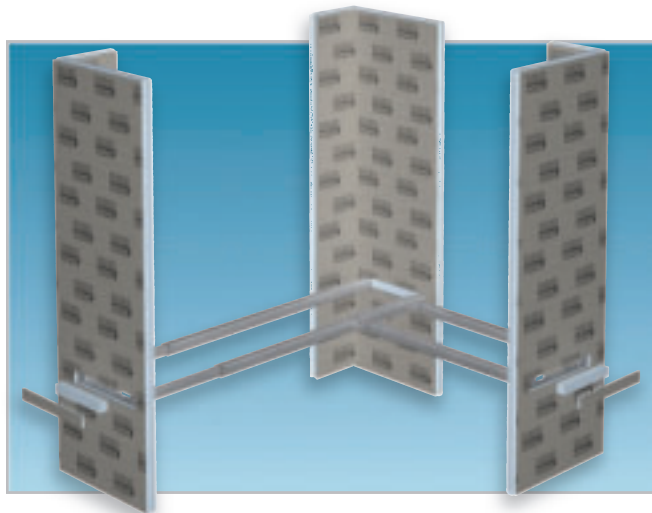
A circumferential distance from the wall is maintained to allow the water to drain off. The bench seat is made to measure corresponding with the wall construction. Equipping with electric heating and/or indirect lighting is optionally possible (see page 105).

For further information please refer to the assembly instructions MODUL-BA-FLOAT.

The construction



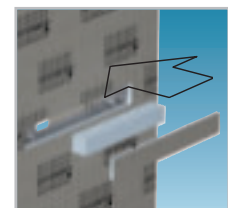
The assembly



The assembly of the stainless steel substructure for MODUL-BA-FLOAT into the MODUL-WA... wall construction (see page 98) takes place via factory-made notches in the corner elements.

For this, a seat height of 1611/32 in is predefined (other heights possible upon request).

Hard foam filler elements are enclosed for the later covering of the cutouts.



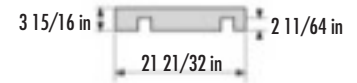
MODUL-BA-FLOAT-G...

Bench form FLOAT, straight, between two walls, incl. stainless steel substructure.

- MODUL-BA-FLOAT-GK
from 59 1/16 to 82 43/64 in
- MODUL-BA-FLOAT-GL
from 82 43/64 to 118 7/64 in



MODUL-BA-FLOAT-GK



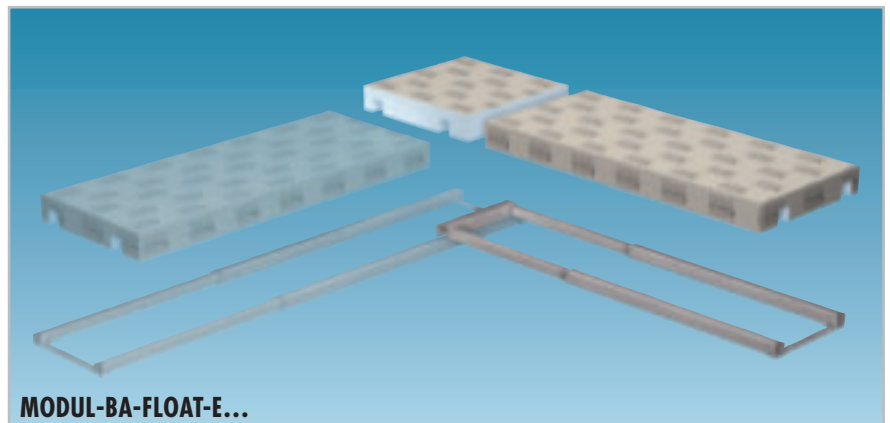
MODUL-BA-FLOAT-GL



MODUL-BA-FLOAT-E...

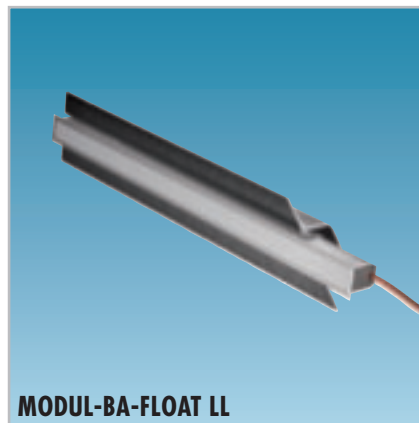
Complementary to FLOAT-G... : Bench form FLOAT, straight, incl. stainless steel substructure for corner elements

- MODUL-BA-FLOAT-EK
from 59 1/16 to 82 43/64 in
- MODUL-BA-FLOAT-EL
from 82 43/64 to 118 7/64 in



MODUL-BA-FLOAT LL

An optional light strip enables indirect LED lighting underneath the bench seat MODUL-BA-FLOAT (surcharge). Scope of delivery also includes a control unit, by means of which different colours and colour change programs can be set.



MODUL-BA-EH

Electric heating set, integrated and embedded in filler at the factory, with temperature sensor and temperature regulator for bench form FLOAT, individually made to measure (surcharge).



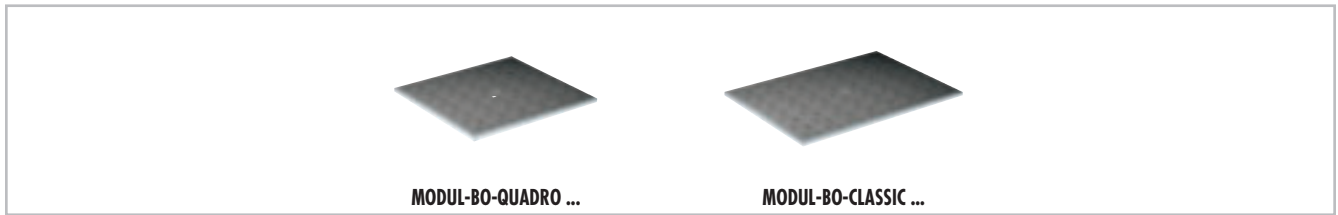
■ PRODUCT SPECIFICATIONS MODUL-WA-...



WALL CONSTRUCTION (KIT)							
MODUL-WA-QUADRO (construction kit for walls form: square) and Modul-WA-CLASSIC (construction kit for walls form: rectangle), height 82 43/64 in, possible up to 98 27/64 in at no additional cost, wall thickness 1 31/32 in							
EXTERNAL WALL DIMENSION	SIDE B						
	59 1/16 in	≤ 70 55/64 in	≤ 82 43/64 in	≤ 94 31/64 in	≤ 106 19/64 in	≤ 118 7/64 in	
SIDE A	59 1/16 in	Art.-no. LMODE10001 WA-QUADRO 1500	Art.-no. LMODE10010 WA-CLASSIC 1500-1800	Art.-no. LMODE10011 WA-CLASSIC 1500-2100	Art.-no. LMODE10013 WA-CLASSIC 1500-2400	Art.-no. LMODE10016 WA-CLASSIC 1500-2700	Art.-no. LMODE10020 WA-CLASSIC 1500-3000
	≤ 70 55/64 in		Art.-no. LMODE10002 WA-QUADRO 1800	Art.-no. LMODE10012 WA-CLASSIC 1800-2100	Art.-no. LMODE10014 WA-CLASSIC 1800-2400	Art.-no. LMODE10017 WA-CLASSIC 1800-2700	Art.-no. LMODE10021 WA-CLASSIC 1800-3000
	≤ 82 43/64 in			LMODE10003 WA-QUADRO 2100	Art.-no. LMODE10015 WA-CLASSIC 2100-2400	Art.-no. LMODE10018 WA-CLASSIC 2100-2700	Art.-no. LMODE10022 WA-CLASSIC 2100-3000
	≤ 94 31/64 in				Art.-no. LMODE10004 WA-QUADRO 2400	Art.-no. LMODE10019 WA-CLASSIC 2400-2700	Art.-no. LMODE10023 WA-CLASSIC 2400-3000
	≤ 106 19/64 in					Art.-no. LMODE10005 WA-QUADRO 2700	Art.-no. LMODE10024 WA-CLASSIC 2700-3000
	≤ 118 7/64 in						Art.-no. LMODE10006 WA-QUADRO 3000

System components ARM, COL, DRY, FIX, MONT

■ PRODUCT SPECIFICATIONS MODUL-BO-...

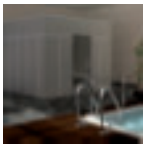


FLOOR ELEMENTS (PIECE)

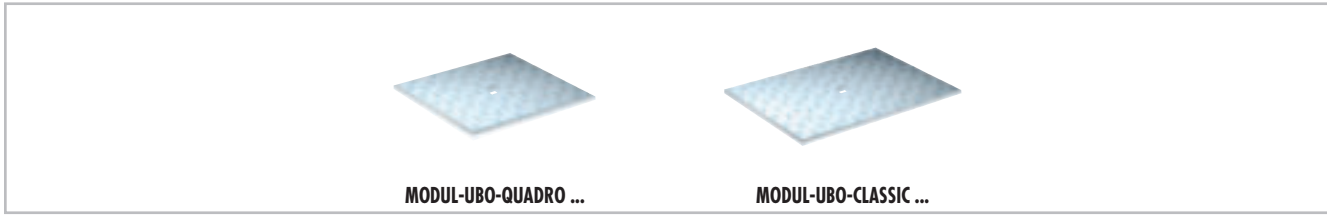
MODUL-BO-QUADRO (Floor elements for wall construction QUADRO) and **MODUL-BO-CLASSIC** (Floor elements for wall construction CLASSIC), with integrated and sealed floor drain support frame 5 5/16 x 5 5/16 in, 1 3/16 / 1 49/64 in thick. Drain technology see LUX ELEMENTS®-TUB (page 58–61).

FLOOR DIMENSIONS		SIDE B					
		59 1/16 in	≤ 70 55/64 in	≤ 82 43/64 in	≤ 94 31/64 in	≤ 106 19/64 in	≤ 118 7/64 in
SIDE A	59 1/16 in	Art.-no. LMODE12001 BO-QUADRO 1500	Art.-no. LMODE12010 BO-CLASSIC 1500–1800	Art.-no. LMODE12011 BO-CLASSIC 1500–2100	Art.-no. LMODE12013 BO-CLASSIC 1500–2400	Art.-no. LMODE12016 BO-CLASSIC 1500–2700	Art.-no. MODE12020 BO-CLASSIC 1500–3000
	≤ 70 55/64 in		Art.-no. LMODE12002 BO-QUADRO 1800	Art.-no. LMODE12012 BO-CLASSIC 1800–2100	LMODE12014 BO-CLASSIC 1800–2400	Art.-no. LMODE12017 BO-CLASSIC 1800–2700	Art.-no. LMODE12021 BO-CLASSIC 1800–3000
	≤ 82 43/64 in			Art.-no. LMODE12003 BO-QUADRO 2100	Art.-no. LMODE12015 BO-CLASSIC 2100–2400	Art.-no. LMODE12018 BO-CLASSIC 2100–2700	Art.-no. LMODE12022 BO-CLASSIC 2100–3000
	≤ 94 31/64 in				Art.-no. LMODE12004 BO-QUADRO 2400	Art.-no. LMODE12019 BO-CLASSIC 2400–2700	Art.-no. LMODE12023 BO-CLASSIC 2400–3000
	≤ 106 19/64 in					Art.-no. LMODE12005 BO-QUADRO 2700	Art.-no. LMODE12024 BO-CLASSIC 2700–3000
	≤ 118 7/64 in						Art.-no. LMODE12006 BO-QUADRO 3000

! The design of descending gradients and directions is part of the planning services. Special designs up to a maximum thickness of 2 9/16 in are possible apart from the descending gradients stated here.



■ **PRODUCT SPECIFICATIONS MODUL-UBO-...**



SUBSTRATE ELEMENTS (PIECE)
MODUL-UBO-QUADRO (substrate element for floor element QUADRO) and **MODUL-UBO-CLASSIC** (substrate element for floor elements CLASSIC), 2 11/64 in thick.

FLOOR DIMENSIONS		SIDE B					
		59 1/16 in	≤ 70 55/64 in	≤ 82 43/64 in	≤ 94 31/64 in	≤ 106 19/64 in	≤ 118 7/64 in
SIDE A	59 1/16 in	Art.-no. LMODE12101 UBO-QUADRO 1500	Art.-no. LMODE12110 UBO-CLASSIC 1500-1800	Art.-no. LMODE12111 UBO-CLASSIC 1500-2100	Art.-no. LMODE12113 UBO-CLASSIC 1500-2400	Art.-no. LMODE12116 UBO-CLASSIC 1500-2700	Art.-no. MODE12120 UBO-CLASSIC 1500-3000
	≤ 70 55/64 in		Art.-no. LMODE12102 UBO-QUADRO 1800	Art.-no. LMODE12112 UBO-CLASSIC 1800-2100	Art.-no. LMODE12114 UBO-CLASSIC 1800-2400	Art.-no. LMODE12117 UBO-CLASSIC 1800-2700	Art.-no. LMODE12121 UBO-CLASSIC 1800-3000
	≤ 82 43/64 in			Art.-no. LMODE12103 UBO-QUADRO 2100	Art.-no. LMODE12115 UBO-CLASSIC 2100-2400	Art.-no. LMODE12118 UBO-CLASSIC 2100-2700	Art.-no. LMODE12122 UBO-CLASSIC 2100-3000
	≤ 94 31/64 in				Art.-no. LMODE12104 UBO-QUADRO 2400	Art.-no. LMODE12119 UBO-CLASSIC 2400-2700	Art.-no. LMODE12123 UBO-CLASSIC 2400-3000
	≤ 106 19/64 in					Art.-no. LMODE12105 UBO-QUADRO 2700	Art.-no. LMODE12124 UBO-CLASSIC 2700-3000
	≤ 118 7/64 in						Art.-no. LMODE12106 UBO-QUADRO 3000

System components COL, DRY

■ PRODUCT SPECIFICATIONS MODUL-DA-BARREL



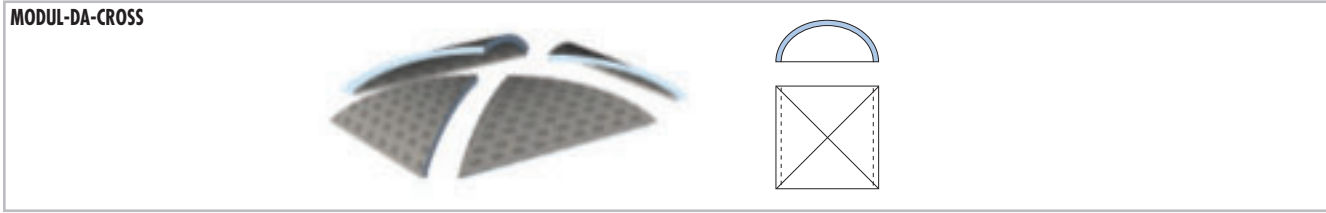
ROOFS (SET)

MODUL-DA-BARREL (Roof form BARREL), maximum roof height 23 5/8 in, thickness 1 31/32 in.

EXTERNAL ROOF DIMENSIONS		SIDE B					
		59 1/16 in	≤ 70 55/64 in	≤ 82 43/64 in	≤ 94 31/64 in	≤ 106 19/64 in	≤ 118 7/64 in
SIDE A	59 1/16 in	Art.-no. LMODE30001 DA-BARREL 1500	Art.-no. LMODE30010 DA-BARREL 1500–1800	Art.-no. LMODE30011 DA-BARREL 1500–2100	Art.-no. LMODE30013 DA-BARREL 1500–2400	Art.-no. LMODE30016 DA-BARREL 1500–2700	Art.-no. LMODE30020 DA-BARREL 1500–3000
	≤ 70 55/64 in		Art.-no. LMODE30002 DA-BARREL 1800	Art.-no. LMODE30012 DA-BARREL 1800–2100	Art.-no. LMODE30014 DA-BARREL 1800–2400	Art.-no. LMODE30017 DA-BARREL 1800–2700	Art.-no. LMODE30021 DA-BARREL 1800–3000
	≤ 82 43/64 in			Art.-no. LMODE30003 DA-BARREL 2100	Art.-no. LMODE30015 DA-BARREL 2100–2400	Art.-no. LMODE30018 DA-BARREL 2100–2700	Art.-no. LMODE30022 DA-BARREL 2100–3000
	≤ 94 31/64 in				Art.-no. LMODE30004 DA-BARREL 2400	Art.-no. LMODE30019 DA-BARREL 2400–2700	Art.-no. LMODE30023 DA-BARREL 2400–3000
	≤ 106 19/64 in					Art.-no. LMODE30005 DA-BARREL 2700	Art.-no. LMODE30024 DA-BARREL 2700–3000
	≤ 118 7/64 in						Art.-no. LMODE30006 DA-BARREL 3000



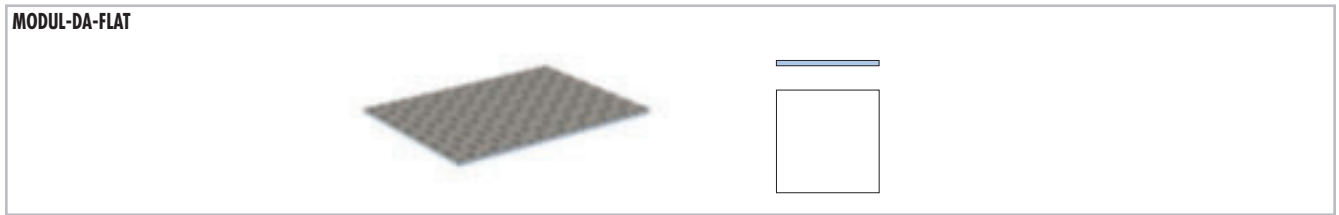
■ PRODUCT SPECIFICATIONS MODUL-DA-CROSS



ROOFS (SET)							
MODUL-DA-CROSS (Roof form CROSS), maximum roof height 23 5/8 in, thickness 1 31/32 in.							
EXTERNAL ROOF DIMENSIONS	SIDE B						
	59 1/16 in	≤ 70 55/64 in	≤ 82 43/64 in	≤ 94 31/64 in	≤ 106 19/64 in	≤ 118 7/64 in	
SIDE A	59 1/16 in	Art.-no. LMODE31001 DA-CROSS 1500	Art.-no. LMODE31010 DA-CROSS 1500-1800	Art.-no. LMODE31011 DA-CROSS 1500-2100	Art.-no. LMODE31013 DA-CROSS 1500-2400	Art.-no. LMODE31016 DA-CROSS 1500-2700	Art.-no. LMODE31020 DA-CROSS 1500-3000
	≤ 70 55/64 in		Art.-no. LMODE31002 DA-CROSS 1800	Art.-no. LMODE31012 DA-CROSS 1800-2100	Art.-no. LMODE31014 DA-CROSS 1800-2400	Art.-no. LMODE31017 DA-CROSS 1800-2700	Art.-no. LMODE31021 DA-CROSS 1800-3000
	≤ 82 43/64 in			Art.-no. LMODE31003 DA-CROSS 2100	Art.-no. LMODE31015 DA-CROSS 2100-2400	Art.-no. LMODE31018 DA-CROSS 2100-2700	Art.-no. LMODE31022 DA-CROSS 2100-3000
	≤ 94 31/64 in				Art.-no. LMODE31004 DA-CROSS 2400	Art.-no. LMODE31019 DA-CROSS 2400-2700	Art.-no. LMODE31023 DA-CROSS 2400-3000
	≤ 106 19/64 in					Art.-no. LMODE31005 DA-CROSS 2700	Art.-no. LMODE31024 DA-CROSS 2700-3000
	≤ 118 7/64 in						Art.-no. LMODE31006 DA-CROSS 3000

System components ARM, COL, DRY, FIX

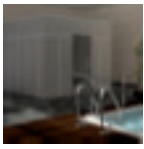
■ PRODUCT SPECIFICATIONS MODUL-DA-FLAT



ROOFS (SET)

MODUL-DA-FLAT (Roof form FLAT), thickness 1 31/32 in.

EXTERNAL ROOF DIMENSIONS		SIDE B					
		59 1/16 in	≤ 70 55/64 in	≤ 82 43/64 in	≤ 94 31/64 in	≤ 106 19/64 in	≤ 118 7/64 in
SIDE A	59 1/16 in	Art.-no. LMODE31101 DA-FLAT 1500	Art.-no. LMODE31110 DA-FLAT 1500–1800	Art.-no. LMODE31111 DA-FLAT 1500–2100	Art.-no. LMODE31113 DA-FLAT 1500–2400	Art.-no. LMODE31116 DA-FLAT 1500–2700	Art.-no. LMODE31120 DA-FLAT 1500–3000
	≤ 70 55/64 in		Art.-no. LMODE31102 DA-FLAT 1800	Art.-no. LMODE31112 DA-FLAT 1800–2100	Art.-no. LMODE31114 DA-FLAT 1800–2400	Art.-no. LMODE31117 DA-FLAT 1800–2700	Art.-no. LMODE31121 DA-FLAT 1800–3000
	≤ 82 43/64 in			Art.-no. LMODE31103 DA-FLAT 2100	Art.-no. LMODE31115 DA-FLAT 2100–2400	Art.-no. LMODE31118 DA-FLAT 2100–2700	Art.-no. LMODE31122 DA-FLAT 2100–3000
	≤ 94 31/64 in				Art.-no. LMODE31104 DA-FLAT 2400	Art.-no. LMODE31119 DA-FLAT 2400–2700	Art.-no. LMODE31123 DA-FLAT 2400–3000
	≤ 106 19/64 in					Art.-no. LMODE31105 DA-FLAT 2700	Art.-no. LMODE31124 DA-FLAT 2700–3000
	≤ 118 7/64 in						Art.-no. LMODE31106 DA-FLAT 3000



■ PRODUCT SPECIFICATIONS MODUL-DA-DOM+FLAT

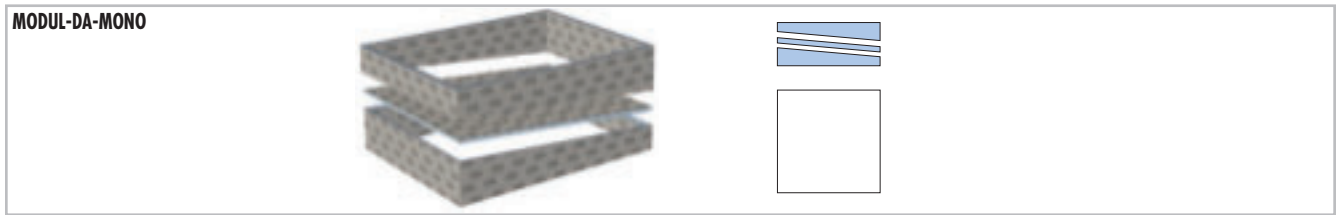


ROOFS (SET)
MODUL-DA-DOM+FLAT (Roof form DOM+FLAT), maximum roof height 23 5/8 in, thickness 1 31/32 in.

EXTERNAL ROOF DIMENSIONS		SIDE B					
		59 1/16 in	≤ 70 55/64 in	≤ 82 43/64 in	≤ 94 31/64 in	≤ 106 19/64 in	≤ 118 7/64 in
SIDE A	59 1/16 in	Art.-no. LMODE31201 DA-DOM+FLAT 1500	Art.-no. LMODE31210 DA-DOM+FLAT 1500-1800	Art.-no. LMODE31211 DA-DOM+FLAT 1500-2100	Art.-no. LMODE31213 DA-DOM+FLAT 1500-2400	Art.-no. LMODE31216 DA-DOM+FLAT 1500-2700	Art.-no. LMODE31220 DA-DOM+FLAT 1500-3000
	≤ 70 55/64 in		Art.-no. LMODE31202 DA-DOM+FLAT 1800	Art.-no. LMODE31212 DA-DOM+FLAT 1800-2100	Art.-no. LMODE31214 DA-DOM+FLAT 1800-2400	Art.-no. LMODE31217 DA-DOM+FLAT 1800-2700	Art.-no. LMODE31221 DA-DOM+FLAT 1800-3000
	≤ 82 43/64 in			Art.-no. LMODE31203 DA-DOM+FLAT 2100	Art.-no. LMODE31215 DA-DOM+FLAT 2100-2400	Art.-no. LMODE31218 DA-DOM+FLAT 2100-2700	Art.-no. LMODE31222 DA-DOM+FLAT 2100-3000
	≤ 94 31/64 in				Art.-no. LMODE31204 DA-DOM+FLAT 2400	Art.-no. LMODE31219 DA-DOM+FLAT 2400-2700	Art.-no. LMODE31223 DA-DOM+FLAT 2400-3000
	≤ 106 19/64 in					Art.-no. LMODE31205 DA-DOM+FLAT 2700	Art.-no. LMODE31224 DA-DOM+FLAT 2700-3000
	≤ 118 7/64 in						Art.-no. LMODE31206 DA-DOM+FLAT 3000

System components ARM, COL, DRY, FIX

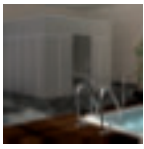
■ PRODUCT SPECIFICATIONS MODUL-DA-MONO



ROOFS (SET)

MODUL-DA-MONO (Roof form MONO), maximum roof height 23 5/8 in, thickness 1 31/32 in.

EXTERNAL ROOF DIMENSIONS		SIDE B					
		59 1/16 in	≤ 70 55/64 in	≤ 82 43/64 in	≤ 94 31/64 in	≤ 106 19/64 in	≤ 118 7/64 in
SIDE A	59 1/16 in	Art.-no. LMODE31301 DA-MONO 1500	Art.-no. LMODE31310 DA-MONO 1500–1800	Art.-no. LMODE31311 DA-MONO 1500–2100	Art.-no. LMODE31313 DA-MONO 1500–2400	Art.-no. LMODE31316 DA-MONO 1500–2700	Art.-no. LMODE31320 DA-MONO 1500–3000
	≤ 70 55/64 in		Art.-no. LMODE31302 DA-MONO 1800	Art.-no. LMODE31312 DA-MONO 1800–2100	Art.-no. LMODE31314 DA-MONO 1800–2400	Art.-no. LMODE31317 DA-MONO 1800–2700	Art.-no. LMODE31321 DA-MON 1800–3000
	≤ 82 43/64 in			Art.-no. LMODE31303 DA-MONO 2100	Art.-no. LMODE31315 DA-MONO 2100–2400	Art.-no. LMODE31318 DA-MONO 2100–2700	Art.-no. LMODE31322 DA-MONO 2100–3000
	≤ 94 31/64 in				Art.-no. LMODE31304 DA-MONO 2400	Art.-no. LMODE31319 DA-MONO 2400–2700	Art.-no. LMODE31323 DA-MONO 2400–3000
	≤ 106 19/64 in					Art.-no. LMODE31305 DA-MONO 2700	Art.-no. LMODE31324 DA-MONO 2700–3000
	≤ 118 7/64 in						Art.-no. LMODE31306 DA-MONO 3000




■ PRODUCT SPECIFICATIONS – LUX ELEMENTS®-MODUL-BA-... (BENCHES)

ARTICLE-NUMBER	ARTICLE-NAME / ARTICLE-DESCRIPTION	UNIT
	MODUL-BA-...-G	
	MODUL-BA-...-EG	
	MODUL-BA-...-ER	
	MODUL-BA-...-AR	

	LMODE4001 MODUL-BA-STEP-G Bench form STEP, straight	running meter
	LMODE4002 MODUL-BA-STEP-EG , Bench form STEP, surcharge for corner element with mitre cut	surcharge
	LMODE4003 MODUL-BA-STEP-ER , Bench form STEP, surcharge for corner element, with round segments	surcharge
	LMODE4004 MODUL-BA-STEP-AR , Bench form STEP, surcharge for bench end, with round segments	surcharge
	LMODE4005 MODUL-BA-STEP-BG , Bench form STEP, surcharge for bench end closed	surcharge
	LMODE4101 MODUL-BA-SIT-G Bench form SIT, straight	running meter
	LMODE4102 MODUL-BA-SIT-EG , Bench form SIT, surcharge for corner element with mitre cut	surcharge
	LMODE4103 MODUL-BA-SIT-ER , Bench form SIT, surcharge for corner element, with round segments	surcharge
	LMODE4104 MODUL-BA-SIT-AR , Bench form SIT, surcharge for bench end, with round segments	surcharge
	LMODE4105 MODUL-BA-SIT-BG , Bench form SIT, surcharge for bench end closed	surcharge
	LMODE4201 MODUL-BA-SLEEP-G Bench form SLEEP, straight	running meter
	LMODE4202 MODUL-BA-SLEEP-EG , Bench form SLEEP, surcharge for corner element with mitre cut	surcharge
	LMODE4203 MODUL-BA-SLEEP-ER , Bench form SLEEP, surcharge for corner element, with round segments	surcharge
	LMODE4204 MODUL-BA-SLEEP-AR , Bench form SLEEP, surcharge for bench end, with round segments	surcharge
	LMODE4205 MODUL-BA-SLEEP-BG , Bench form SLEEP, surcharge for bench end closed	surcharge
	LMODE4301 MODUL-BA-SOFT-G Bench form SOFT, straight	running meter
	LMODE4302 MODUL-BA-SOFT-EG , Bench form SOFT, surcharge for corner element with mitre cut surcharge	
	LMODE4303 MODUL-BA-SOFT-ER , Bench form SOFT, surcharge for corner element, with round segments	surcharge
	LMODE4304 MODUL-BA-SOFT-AR , Bench form SOFT, surcharge for bench end, with round segments	surcharge
	LMODE4305 MODUL-BA-SOFT-BG , Bench form SOFT, surcharge for bench end closed	surcharge
	LMODE4401 MODUL-BA-SLIM-G Bench form SLIM, straight	running meter
	LMODE4402 MODUL-BA-SLIM-EG , Bench form SLIM, surcharge for corner element with mitre cut surcharge	
	LMODE4403 MODUL-BA-SLIM-ER , Bench form SLIM, surcharge for corner element, with round segments	surcharge
	LMODE4404 MODUL-BA-SLIM-AR , Bench form SLIM, surcharge for bench end, with round segments	surcharge
	LMODE4405 MODUL-BA-SLIM-BG , Bench form SLIM, surcharge for bench end closed	surcharge

Contd. on page 115

■ PRODUCT SPECIFICATIONS – LUX ELEMENTS®-MODUL-BA-... (BENCHES)




	ARTICLE-NUMBER	ARTICLE-NAME / ARTICLE-DESCRIPTION	UNIT
	LMODE4501	MODUL-BA-SOLO-G Bench form SOLO, straight	running meter
	LMODE4505	MODUL-BA-SOLO-G 900 Bench form SOLO, straight, length 35 7/16 in*	piece
	LMODE4506	MODUL-BA-SOLO-G 750 Bench form SOLO, straight, length 29 17/32 in*	piece
	LMODE4502	MODUL-BA-SOLO-EG , Bench form SOLO, surcharge for corner element with mitre cut	surcharge
	LMODE4503	MODUL-BA-SOLO-ER , Bench form SOLO, surcharge for corner element, with round segments	surcharge
	LMODE4504	MODUL-BA-SOLO-AR , Bench form SOLO, surcharge for bench end, with round segments	surcharge
	LMODE4508	MODUL-BA-SOLO-BG , Bench form SOLO, surcharge for bench end closed	surcharge
	LMODE4901	MODUL-BA-STAR-G Bench form STAR, straight	running meter
	LMODE4904	MODUL-BA-STAR-L , Bench form STAR, back rest	running meter
	LMODE4902	MODUL-BA-STAR-EG , Bench form STAR, surcharge for corner element with mitre cut	surcharge
	LMODE4903	MODUL-BA-STAR-AE , Bench form STAR, surcharge for bench end with mitre cut	surcharge
	LMODE4905	MODUL-BA-STAR-BG , Bench form STAR, surcharge for bench end closed	surcharge
	LMODE4801	MODUL-BA-FLOAT-GK Bench form FLOAT floating, straight, incl. stainless steel framework, from 59 1/16 to 82 43/64 in	set
	LMODE4802	MODUL-BA-FLOAT-EK Bench form FLOAT floating, straight, incl. stainless steel framework from for corner element only in combination with MODUL-BA-FLOAT-GK, from 59 1/16 to 82 43/64 in	set
	LMODE4804	MODUL-BA-FLOAT-GL Bench form FLOAT floating, straight, incl. stainless steel framework, from 82 43/64 to 118 7/64 in	set
	LMODE4805	MODUL-BA-FLOAT-EL Bench form FLOAT floating, straight, incl. stainless steel framework from for corner element only in combination with MODUL-BA-FLOAT-GL, from 82 43/64 to 118 7/64 in	set
	LMODE4701	MODUL-BA-L Arm rest as a finishing element for bench forms STEP, SIT, SLEEP, SOFT, SLIM, SOLO, STAR, individually made to measure	piece
	LMODE4601	MODUL-BA-EH Electrical heating set with temperature sensor and temperature regulator for bench forms STEP, SIT, SLEEP, SOFT, SLIM, SOLO, STAR, FLOAT, individually made to measure als surcharge	set
	LMODE4602	MODUL-BA-FH Millings for the on-site installation of water heaters for bench forms STEP, SIT, SLEEP, SOFT, SLIM, SOLO, individually made to measure als surcharge	piece
	LMODE4803	MODUL-BA-FLOAT-LL Indirect lighting for bench form FLOAT, as a supplement	surcharge

* to match TUB-BOL (see page 56) and TUB-LINE BOL (see page 72)

System components ARM, COL, DRY







■ **PRODUCT SPECIFICATIONS – LUX ELEMENTS®-MODUL-DOOR-... (DOORS)**

	ARTICLE-NUMBER	ARTICLE-NAME / ARTICLE-DESCRIPTION	NOMINAL FORMATS/DIMENSIONS WIDTH x HEIGHT	UNIT
	LMODE5001	MODUL-DOOR-TZ B Aluminium door frame three-section with lintel, block profile, surface simulated abraded stainless steel, anodised, with locking mechanism and hinges for glass doors	max. 39 3/8 in width, max. 78 47/64 in height	piece
	LMODE5002	MODUL-DOOR-TZ F Aluminium door frame three-section with lintel, flat profile, surface simulated abraded stainless steel, anodised, with locking mechanism and hinges for glass doors	max. 39 3/8 in width, max. 78 47/64 in height	piece
	LMODE5004	MODUL-DOOR-TZ F-S/R Aluminium door frame with lintel, flat section, surface polished similar to stainless steel, anodised, with locking mechanism and glass doors hinges, model DIN right, standard size	31 1/2 in wide, 78 47/64 in high	piece
	LMODE5005	MODUL-DOOR-TZ F-S/L Aluminium door frame with lintel, flat section, surface polished similar to stainless steel, anodised, with locking mechanism and glass doors hinges, model DIN left, standard size	31 1/2 in wide, 78 47/64 in high	piece
	LMODE5101	MODUL-DOOR-GT 800 Glass door ESG 8 mm made to measure, incl. drilling for door knob or handle bar	max. 31 1/2 in width, max. 78 47/64 in height	piece
	LMODE5102	MODUL-DOOR-GT 1000 Glass door ESG 8 mm made to measure, incl. drilling for door knob or handle bar	max. 39 3/8 in width, max. 78 47/64 in height	piece
	LMODE5105	MODUL-DOOR-GT-F-S Glass door ESG 8mm, standard size , suitable for MODUL-DOOR-TZ F-S, incl. drilling for door knob or handle bar	30 15/32 in wide, 77 61/64 in high	piece
	LMODE5010	MODUL-DOOR-TK Door knob similar to stainless steel, polished	∅ 1 49/64 in	set
	LMODE5011	MODUL-DOOR-GS Stainless steel handle bar brushed	11 13/16 in long, ∅ 0 25/32 in	set

System components ARM, COL, DRY, FIX

■ PRODUCT SPECIFICATIONS – LUX ELEMENTS®-MODUL-KIT

	ARTICLE-NUMBER	ARTICLE-NAME / ARTICLE-DESCRIPTION	UNIT
	LMODE6001	MODUL-KIT-WA 1 Mounting kit for walls, roofs and benches up to a surface of approx. 6'200.01 in ² : 20 pieces FIX-SD 80, 20 pieces FIX-SD 130, 40 kg COL-AK, 12 pieces COL-MK, 3543 5/16 in ARM 100 SK, 10 timber wedges, 10 mounting brackets	Kit
	LMODE6002	MODUL-KIT-WA 2 Mounting kit for walls, roofs and benches from approx. 6'200.01 in ² up to a surface of approx. 13'950.03 in ² : 40 pieces FIX-SD 80, 40 pieces FIX-SD 130, 75 kg COL-AK, 24 pieces COL-MK, 4724 13/32 in ARM 100 SK, 10 timber wedges, 10 mounting brackets	Kit
	LMODE6101	MODUL-KIT-BO 1 Mounting kit for floor structures up to a surface of approx. 6'200.01 in ² : 1 pieces COL-MK, 50 kg COL-AK, 3,5 kg DRY-ASK, 393 45/64 in DRY-DB, 4 pieces DRY-DBIE	Kit
	LMODE6102	MODUL-KIT-BO 2 Mounting kit for floor structures from approx. 6'200.01 in ² up to a surface of approx. 13'950.03 in ² : 1 pieces COL-MK, 100 kg COL-AK, 7 kg DRY-ASK, 787 13/32 in DRY-DB, 4 pieces DRY-DBIE	Kit

MODUL-KIT... : RANGE OF APPLICATION	Mounting kit for walls, roofs and benches	Mounting kit for floor structures
up to a surface of approx. 6'200.01 in ²	MODUL-KIT-WA 1	MODUL-KIT-BO 1
from approx. 6'200.01 in ² up to a surface of approx. 13'950.03 in ²	MODUL-KIT-WA 2	MODUL-KIT-BO 2



The decorative elements

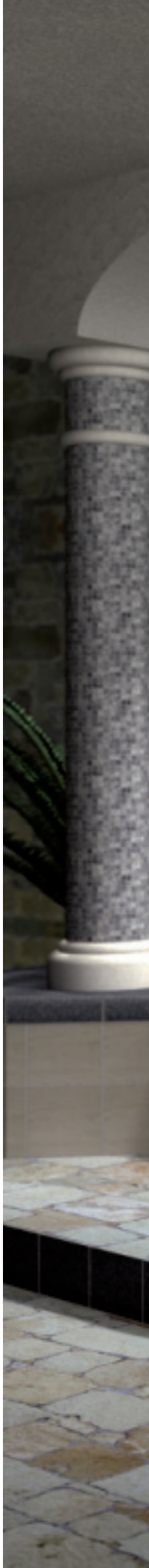
DECO are decorative elements of hard foam support material with which products of LUX ELEMENTS as well as rooms, walls, corners etc. can be equipped, clad or supplemented.



LUX ELEMENTS®-DECO-PLUS

LUX ELEMENTS manufactures individual customised and special products for the DECO product group.

These include dimensions, thicknesses, shapes etc. that deviate from the standard program. For more information see page 8.

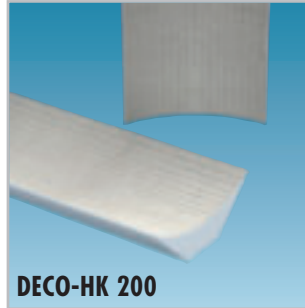




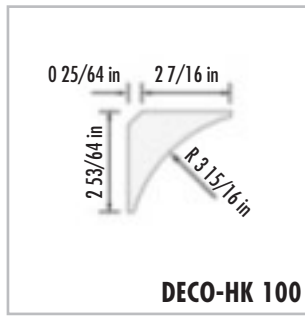
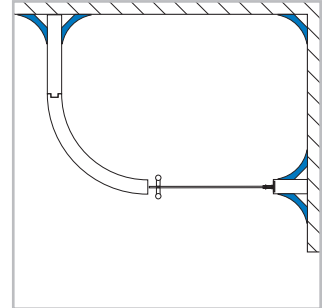


The concave trims

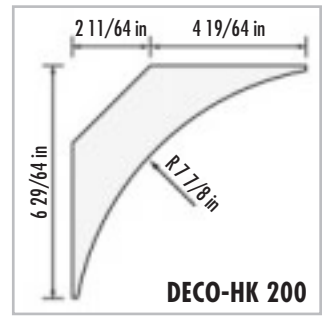
Concave trims are fitted in corners for rounding off inwards e.g. in steam rooms, showers (see RELAX:JUNIOR) and room corners. The DECO-RD-HK concave trim is used as a round shower fitting part to the wall. In this way an acute-angled gap is covered.



DECO-HK 200



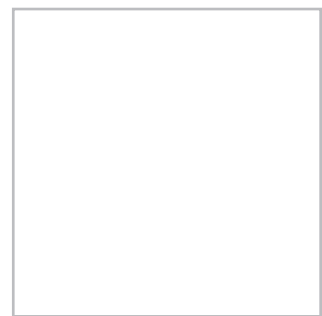
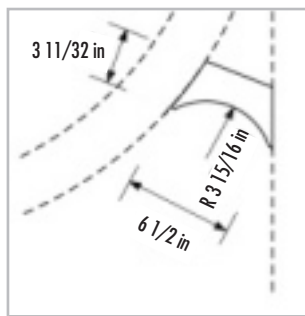
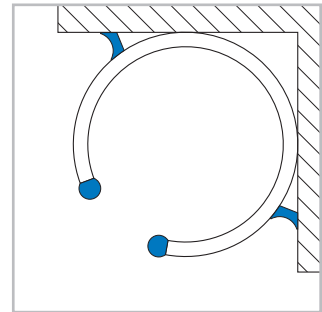
DECO-HK 100



DECO-HK 200

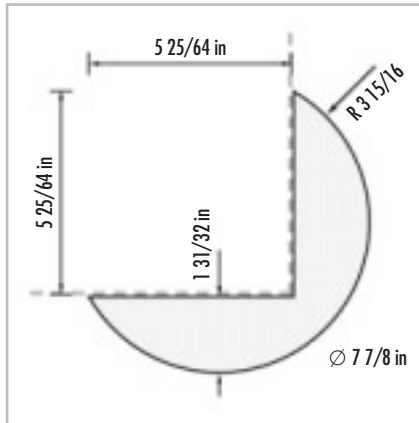
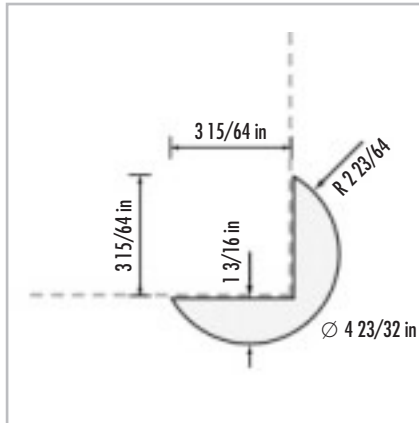
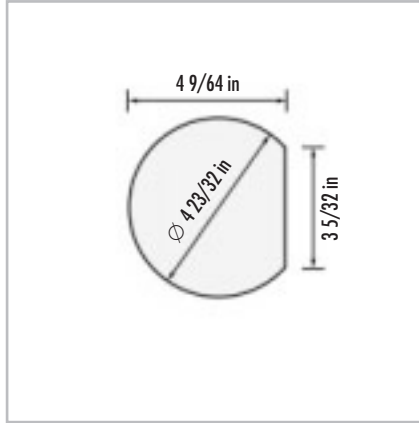


DECO-RD-HK



The curvature elements

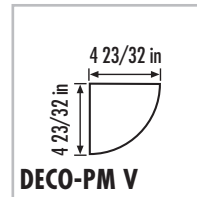
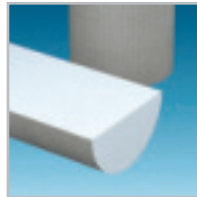
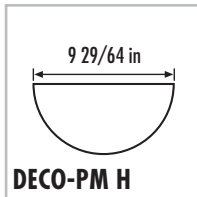
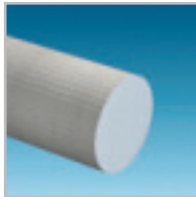
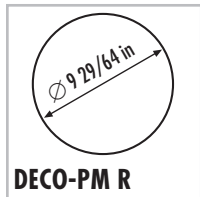
The DECO-AE semi-circular finishing element can be ordered to round off edges e.g. with RELAX-RD, RELAX-SD and RELAX-RSE (s. pages 82–91). The DECO-VE round cladding element in two sizes is used to round off corners outwards.






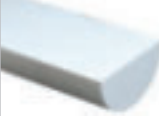

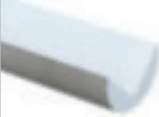



The pillars (columns)

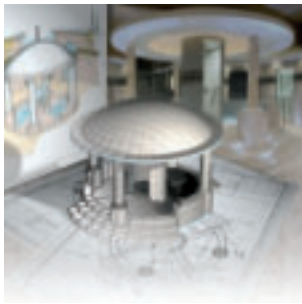
Columns are available as round models (PM R) for freestanding columns, half-round models (PM H) for wall mounting, and quadrant-shaped models (PM-V) for room corners. The diameter is $9 \frac{29}{64}$ in, the length is $98 \frac{27}{64}$ in.



■ PRODUCT SPECIFICATIONS – LUX ELEMENTS®-DECO

	ARTICLE-NUMBER	ARTICLE-NAME / ARTICLE-DESCRIPTION	NOMINAL FORMATS/DIMENSIONS	UNIT
	LDECE1001	DECO-HK 100 Concave trims	Radius 3 15/16 in, length 98 27/64 in	piece
	LDECE1002	DECO-HK 200 Concave trims	Radius 7 7/8 in, length 98 27/64 in	piece
	LDECE1003	DECO-RD-HK Round showers wall connection concave trim for RELAX-RD	Radius 3 15/16 in, length 98 27/64 in	piece
	LDECE2001	DECO-PM R Column, modern design, round	∅ 9 29/64 in, length 98 27/64 in	piece
	LDECE2002	DECO-PM H Column, modern design, semi-circular	∅ 9 29/64 in, length 98 27/64 in	piece
	LDECE2003	DECO-PM V Column, modern design, quadrant	∅ 9 29/64 in, length 98 27/64 in	piece
	LDECE3001	DECO-VE 200 Round surrounding element for corners	∅ 7 7/8 in, length 98 27/64 in	piece
	LDECE3002	DECO-VE 120 Round surrounding element for corners	∅ 4 23/32 in, length 98 27/64 in	piece
	LDECE3003	DECO-AE Finishing element for edges	∅ 4 23/32 in, length 98 27/64 in	piece

System components ARM, COL, DRY

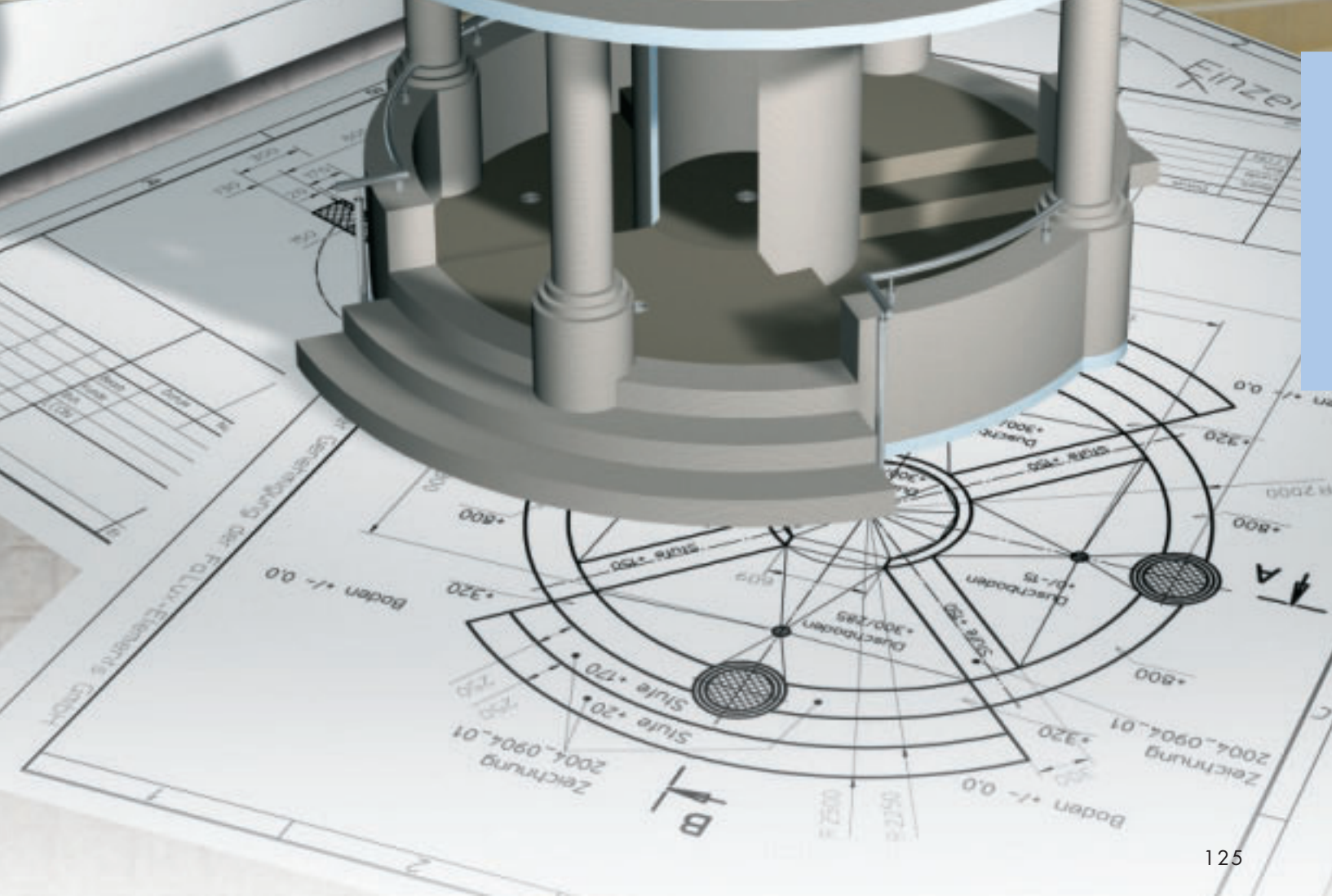


The individual concepts

CONCEPT is the product group for individual concepts and components for spa and leisure facilities.

We produce according to the customer's specifications or develop with you customer-or object-based solutions. Also suitable for wet areas. These can be individual or serial productions.

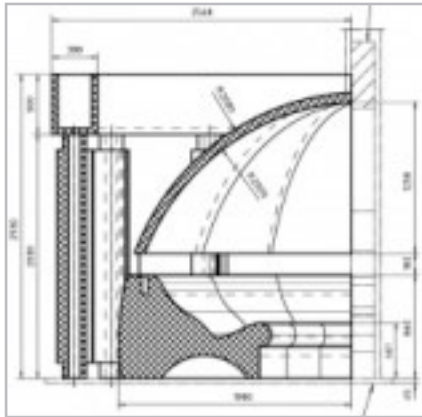




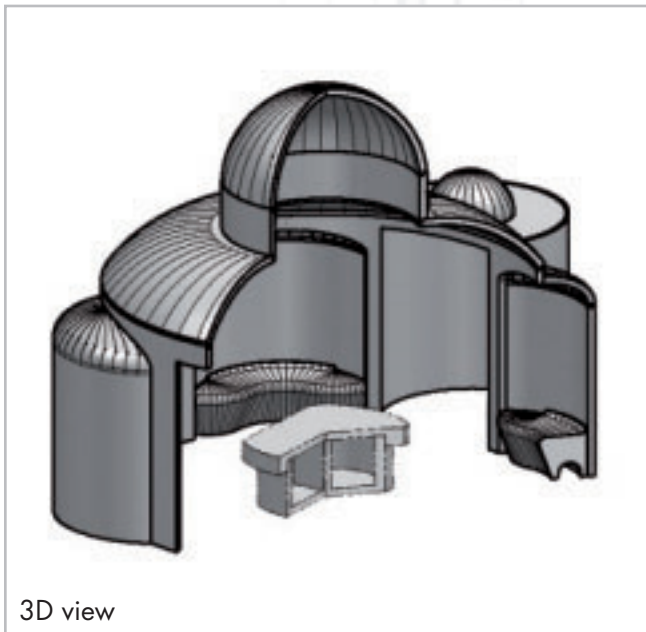


From planning to finished item:

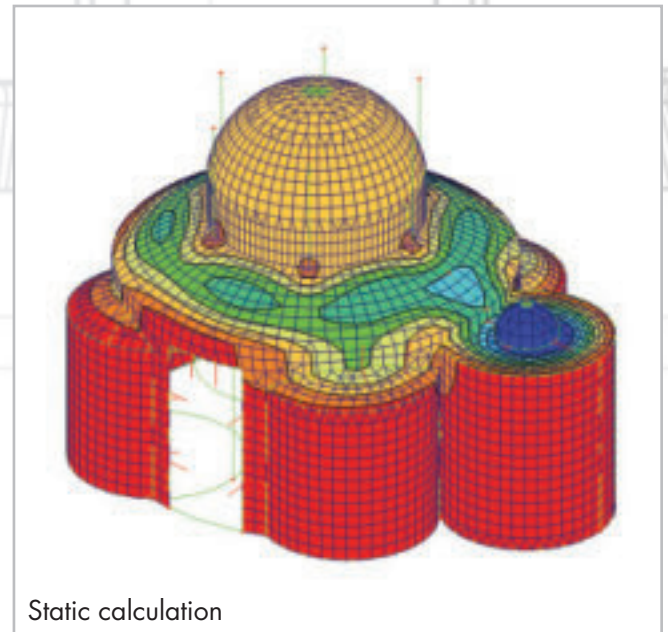
- Idea, sketch or detailed draft from customer
- Assistance from LUX ELEMENT regarding detailed questions
- Preparation of a technical drawing for approval with 3D view at LUX ELEMENTS
- If necessary LUX ELEMENTS will carry out static calculations
- Manufacture of the individual components exactly in accordance with planning specifications
- Test assembly at LUX ELEMENTS and numbering of the components
- Delivery to the building site in segments
- Assembly by installer



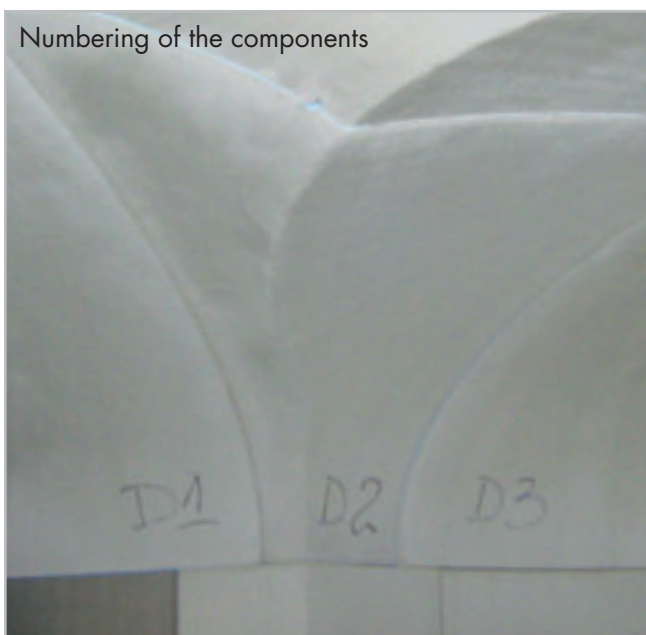
You can give free rein to your ideas at the planning stage. The modern, flexible production methods at LUX ELEMENTS make it possible to produce large items and a wide range of shapes.



3D view



Static calculation



Numbering of the components

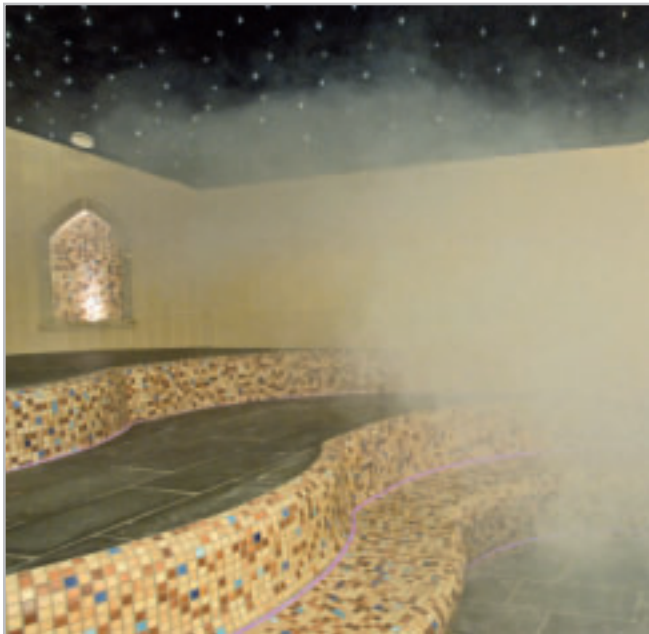


Test assembly



LUX ELEMENTS produces individual items in the wellness, health resort and leisure-time fields such as

- Room constructions and steam rooms
- Partition walls
- Decorative elements
- Seats, benches and relaxation loungers



Electrical and hot water heaters can be integrated beneath the ceramic tiles of benches, seats and relaxation loungers if desired. The electric heating is installed directly at LUX ELEMENTS, while only the milling for the hot water hoses is prepared in the case of hot water heating.

Recalibration starwellness





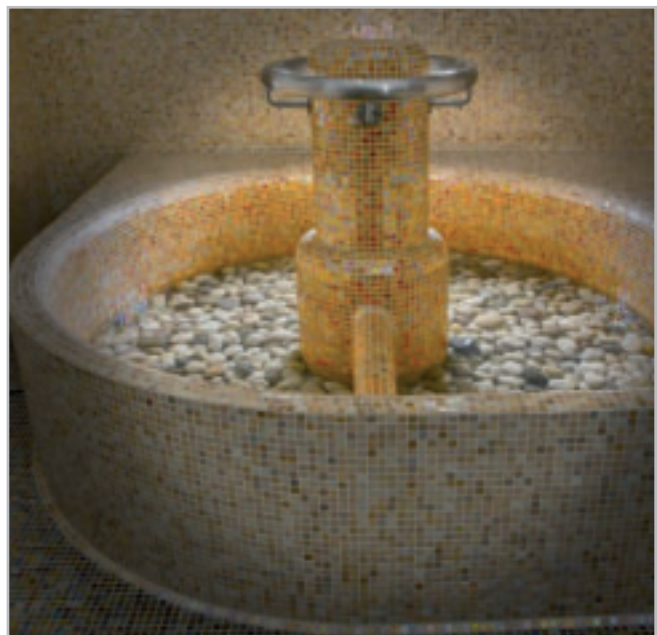
LUX ELEMENTS®-CONCEPT

Hard foam support elements from LUX ELEMENTS are installed in wet areas, for example:

- Pools and underwater worlds
- Kneipp and foot baths



Photographer: Jeroen Kuppens



Complete solutions from one source or individual custom products can be designed with hard foam support elements from LUX ELEMENTS.

