



The shower bases

The TUB product range includes tileable shower bases for point drainage and linear drainage in various design options, drainage technology and diverse accessories.

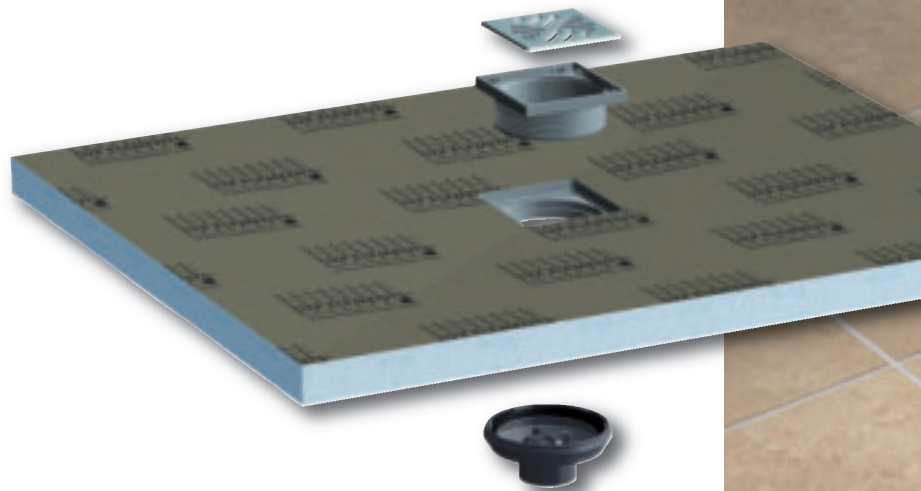
The shower bases are cUPC certified under the IAPMO file 8712 or cClassified under the file C-8806.

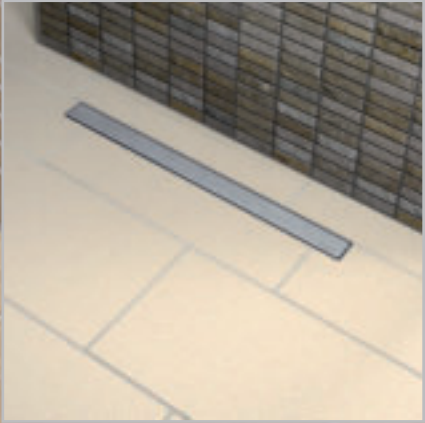



LUX ELEMENTS®-TUB-PLUS

LUX ELEMENTS manufactures individual customised and special products for the TUB product group.

These include dimensions, thicknesses, shapes etc. that deviate from the standard program. For more information see page 8.







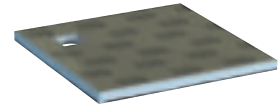
Overview point drainage / linear drainage

TUB – point drainage



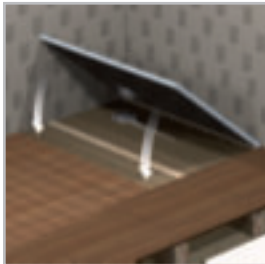
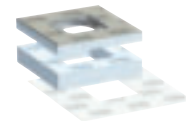
TUB – shower bases

see page 44



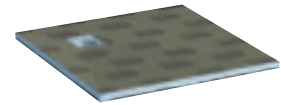
TUB-MQ-SET 300 – shower drain element

see page 44



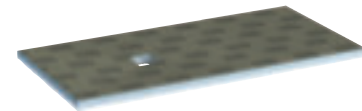
TUB H – The flush with the floor shower bases for the use on wooden sub-constructions

see page 54



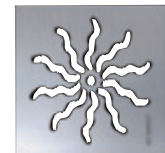
TUB BOL – shower bases for the substitution of bath tubs

see page 56



TUB Floor drain systems and accessories

see page 58

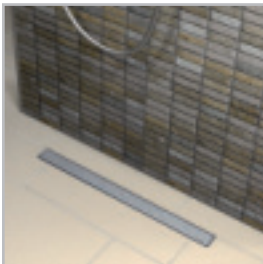
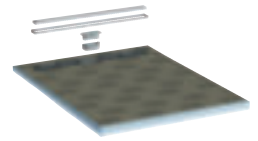


TUB-LINE – linear drainage



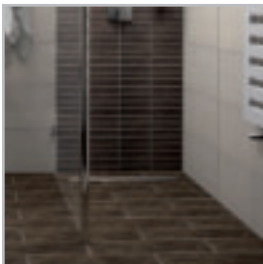
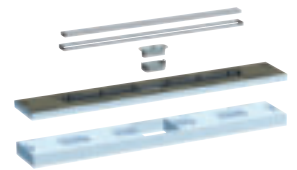
TUB-LINE – shower bases

see page 62



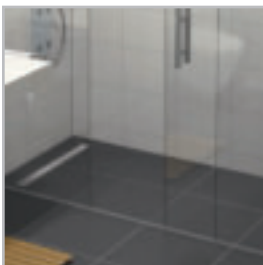
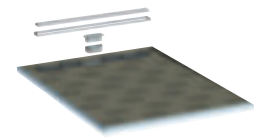
TUB-LINE RT – Channel support elements

see page 68



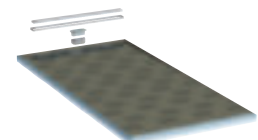
TUB-LINE H – The flush with the floor shower bases for the use on wooden sub-constructions

see page 70



TUB-LINE BOL – shower bases for the substitution of bath tubs

see page 72



TUB-LINE Floor drain systems and accessories

see page 74

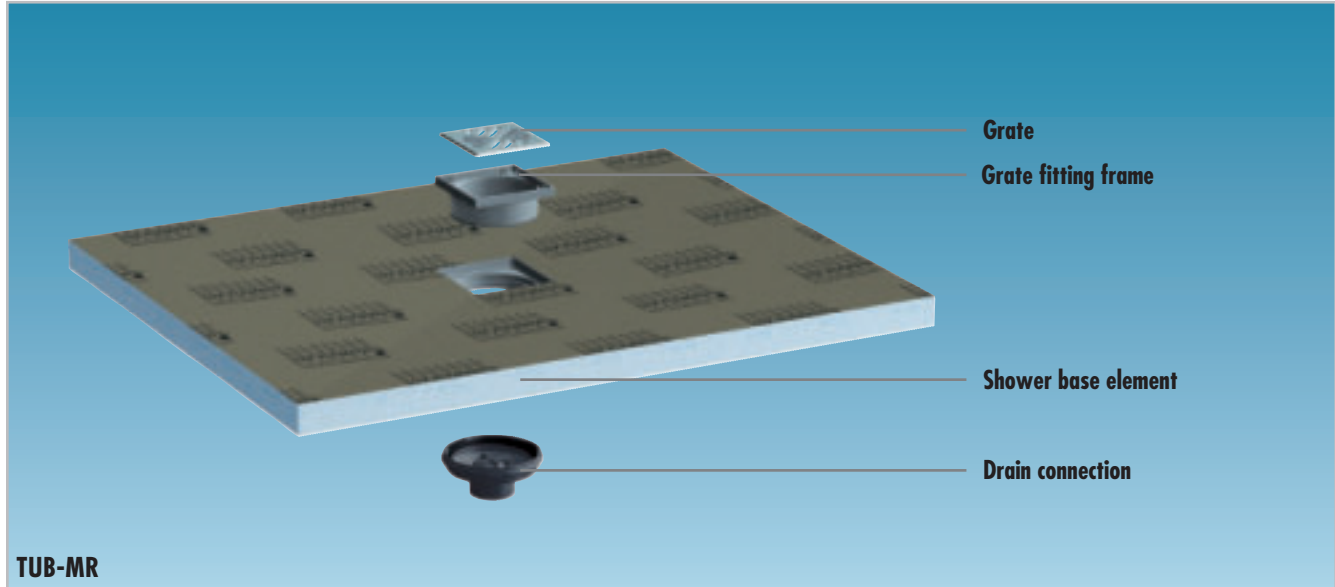




Point drainage

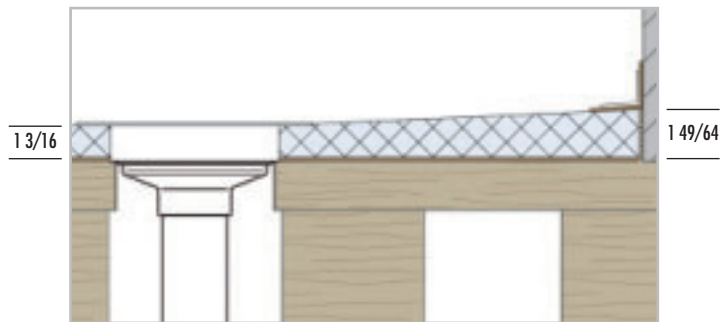
Shower bases

The shower base elements for one-point drainage consist of a hard foam support element with top-side sealing, integrated and sealed floor drain support frame, 5 5/16 x 5 5/16 inch.



The installation heights

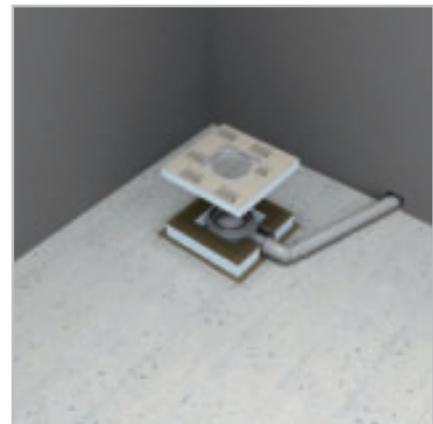
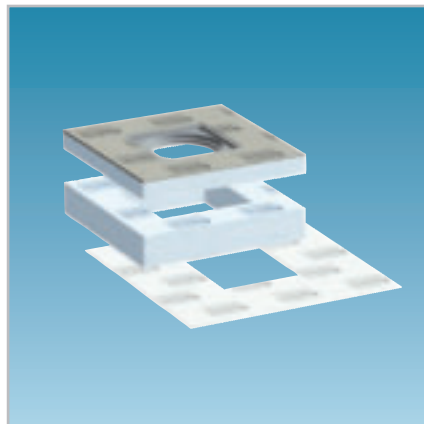
The shower bases for point drainage have a height of 1 3/16 / 1 49/64 inch with an integrated gradient.



Please note: Dimensions in inch. Measures without adhesive coating and tiles. For further details, please see technical data sheet TUB.

TUB-MQ-SET 300

Hard foam shower drain element with integrated floor drain support 5 5/16 x 5 5/16 inch, loose sealing sleeve and substrate element. Suitable for the installation of a shower in screed floors with slope.



TUB-BA-S CST

The drain system of the shower base consists of a drain grate with a grate fitting frame and a vertical floor drain support. This support is glued to the existing drain pipe, which was previously brought to the right length.

After the shower base has been attached to the floor using fixing adhesive, the floor drain support is simply clipped onto the shower base. Various design options can be chosen when selecting the drain grate (see page 58/59).

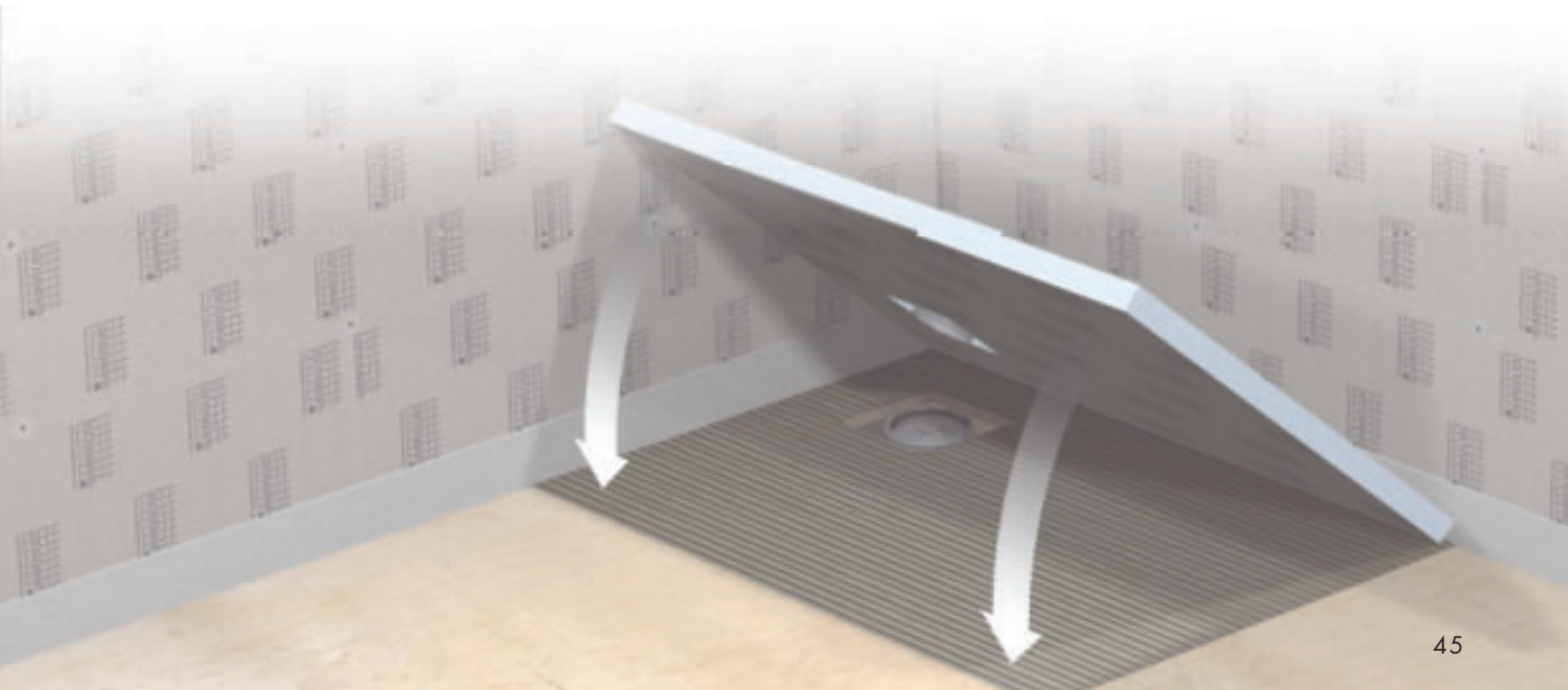
The floor drain support BA-S CST is not only used for the shower bases with point drainage but also with floor channel drains (from page 62).

ASME A112.18.2 / CSA B 125.2

The drains are cUPC certified as a part of a kit listed under the IAPMO file 8712 and cClassified as a part of a kit listed under the file C-8806.



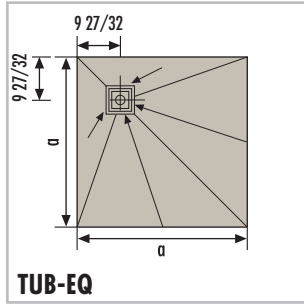
Please observe the assembly instructions for LUX ELEMENTS TUB-BA-S CST at www.luxelements.ca



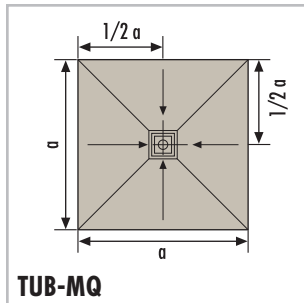
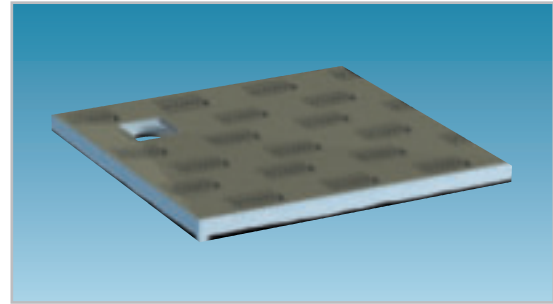


Overview – design variants, dimensions

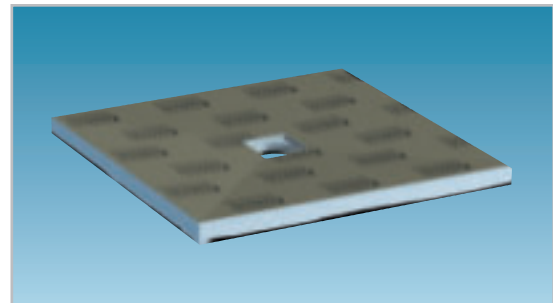
TUB-EQ, TUB-MQ – square



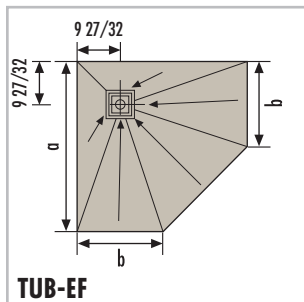
Standard format	a =
TUB-EQ 900	35 7/16 in
TUB-EQ 1000	39 3/8 in
TUB-EQ 1200	47 1/4 in
TUB-EQ 1500	59 1/16 in
Made to measure	a =
TUB-EQ 1–1000	0 3/64–39 3/8 in
TUB-EQ 1001–1200	39 13/32–47 1/4 in
TUB-EQ 1201–1400	47 9/32–55 1/8 in
TUB-EQ 1401–1600	55 5/32–62 63/64 in



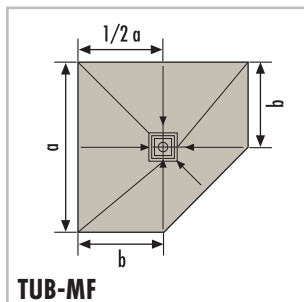
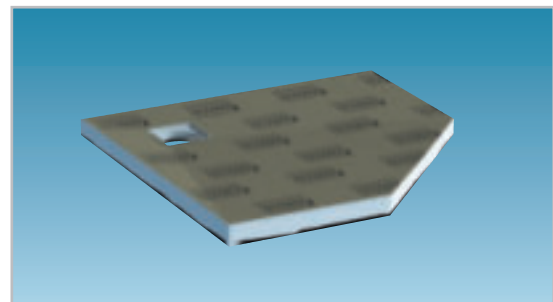
Standard format	a =
TUB-MQ-SET 300	11 13/16 in
Standard format	a = t
TUB-MQ 900	35 7/16 in
TUB-MQ 1000	39 3/8 in
TUB-MQ 1200	47 1/4 in
TUB-MQ 1500	59 1/16 in
Made to measure	a =
TUB-MQ 1–1000	0 3/64–39 3/8 in
TUB-MQ 1001–1200	39 13/32–47 1/4 in
TUB-MQ 1201–1400	47 9/32–55 1/8 in
TUB-MQ 1401–1600	55 5/32–62 63/64 in



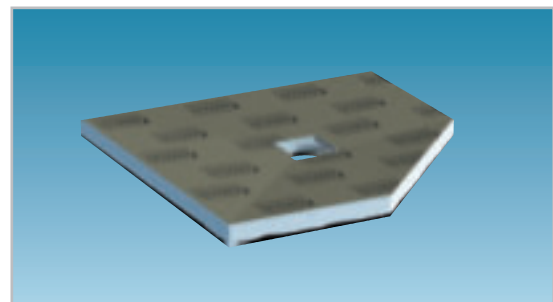
TUB-EF, TUB-MF – pentagonal



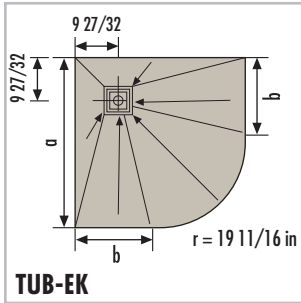
Standard format	a / b =
TUB-EF 900	a = 35 7/16 in b = 17 23/32 in
TUB-EF 1000	a = 39 3/8 in b = 17 23/32 in
Made to measure	a / b =
TUB-EF 1–1000	a = 0 3/64–39 3/8 in b = 1/2 a
TUB-EF 1001–1200	a = 39 13/32–47 1/4 in b = 1/2 a



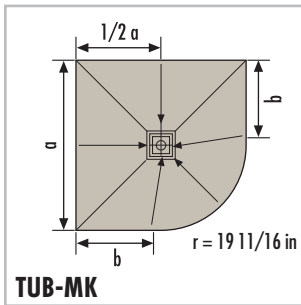
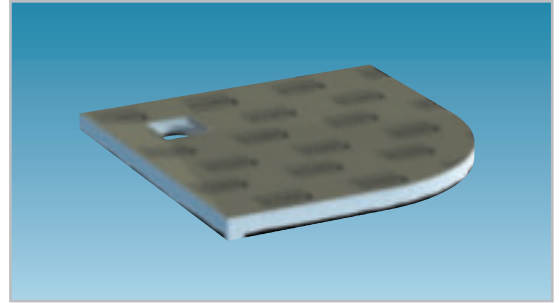
Standard format	a / b =
TUB-MF 900	a = 35 7/16 in b = 17 23/32 in
TUB-MF 1000	a = 39 3/8 in b = 17 23/32 in
Made to measure	a / b =
TUB-MF 1–1000	a = 0 3/64–39 3/8 in b = 1/2 a
TUB-MF 1001–1200	a = 39 13/32–47 1/4 in b = 1/2 a



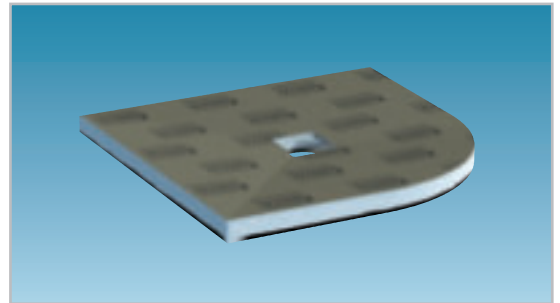
TUB-EK, TUB-MK – quadrant



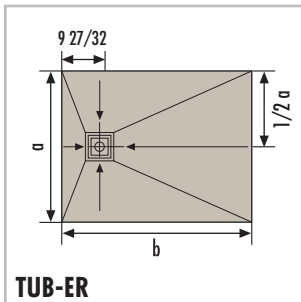
Standard format	a / b =
TUB-EK 900	a = 35 7/16 in b = 15 3/4 in
TUB-EK 1000	a = 39 3/8 in b = 19 11/16 in
Made to measure	a / b =
TUB-EK 1–1000	a = 0 3/64–39 3/8 in b = a-r
TUB-EK 1001–1200	a = 39 13/32–47 1/4 in b = a-r



Standard format	a / b =
TUB-MK 900	a = 35 7/16 in b = 15 3/4 in
TUB-MK 1000	a = 39 3/8 in b = 19 11/16 in
Made to measure	a / b =
TUB-MK 1–1000	a = 0 3/64–39 3/8 in b = a-r
TUB-MK 1001–1200	a = 39 13/32–47 1/4 in b = a-r

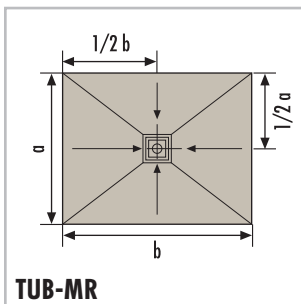
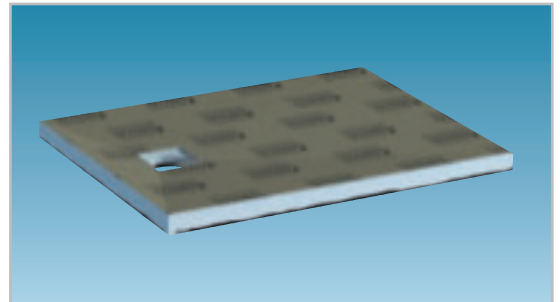


TUB-ER, TUB-MR – rectangular



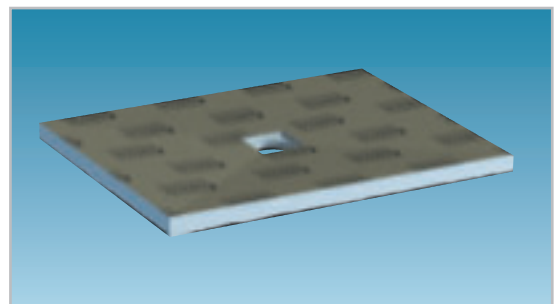
* longer side is significant

Standard format	a / b =
TUB-ER 1000/800	a = 31 1/2 in, b = 39 3/8 in
TUB-ER 1200/900	a = 35 7/16 in, b = 47 1/4 in
TUB-ER 1200/1000	a = 39 3/8 in, b = 47 1/4 in
TUB-ER 1300/900	a = 35 7/16 in, b = 51 3/16 in
TUB-ER 1400/900	a = 35 7/16 in, b = 55 1/8 in
TUB-ER 1500/900	a = 35 7/16 in, b = 59 1/16 in
TUB-ER 1600/900	a = 35 7/16 in, b = 62 63/64 in
Made to measure	a / b =
TUB-ER 1–1000	b (a)* = 0 3/64–39 3/8 in
TUB-ER 1001–1200	b (a)* = 39 13/32–47 1/4 in
TUB-ER 1201–1400	b (a)* = 47 9/32–55 1/8 in
TUB-ER 1401–1600	b (a)* = 55 5/32–62 63/64 in
TUB-ER 1601–1800	b (a)* = 63 1/32–70 55/64 in
TUB-ER 1801–2000	b (a)* = 70 29/32–78 47/64 in
TUB-ER 2001–2200	b (a)* = 78 25/32–86 39/64 in



* longer side is significant

Standard format	a / b =
TUB-MR 1000/800	a = 31 1/2 in, b = 39 3/8 in
TUB-MR 1200/900	a = 35 7/16 in, b = 47 1/4 in
TUB-MR 1200/1000	a = 39 3/8 in, b = 47 1/4 in
TUB-MR 1300/900	a = 35 7/16 in, b = 51 3/16 in
TUB-MR 1400/900	a = 35 7/16 in, b = 55 1/8 in
TUB-MR 1500/900	a = 35 7/16 in, b = 59 1/16 in
TUB-MR 1600/900	a = 35 7/16 in, b = 62 63/64 in
Made to measure	a / b =
TUB-MR 1–1000	b (a)* = 0 3/64–39 3/8 in
TUB-MR 1001–1200	b (a)* = 39 13/32–47 1/4 in
TUB-MR 1201–1400	b (a)* = 47 9/32–55 1/8 in
TUB-MR 1401–1600	b (a)* = 55 5/32–62 63/64 in
TUB-MR 1601–1800	b (a)* = 63 1/32–70 55/64 in
TUB-MR 1801–2000	b (a)* = 70 29/32–78 47/64 in
TUB-MR 2001–2200	b (a)* = 78 25/32–86 39/64 in

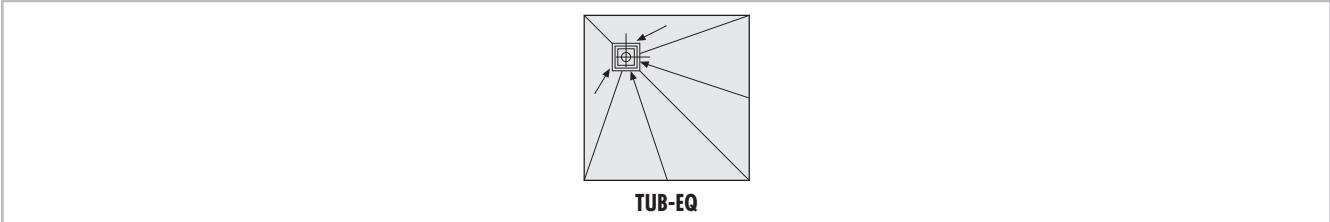




■ **PRODUCT SPECIFICATIONS – LUX ELEMENTS®-TUB-EQ**

TUB-EQ, hard foam shower base elements, square, integrated and sealed floor drain support frame 5 5/16 x 5 5/16 inch in the corner.
For floor drain supports, see floor drain systems (page 58–61).

ARTICLE-NUMBER	ARTICLE-NAME / ARTICLE-DESCRIPTION	NOMINAL FORMATS/DIMENSIONS WIDTH x LENGTH x HEIGHT	UNIT
----------------	------------------------------------	---	------



	LTUBE10001	TUB-EQ 900 Hard-foam shower base element, standard format	35 7/16 x 35 7/16 x 1 3/16 / 1 49/64 in	piece
	LTUBE10002	TUB-EQ 1000 Hard-foam shower base element, standard format	39 3/8 x 39 3/8 x 1 3/16 / 1 49/64 in	piece
	LTUBE10003	TUB-EQ 1200 Hard-foam shower base element, standard format	47 1/4 x 47 1/4 x 1 3/16 / 1 49/64 in	piece
	LTUBE10004	TUB-EQ 1500 Hard-foam shower base element, standard format	59 1/16 x 59 1/16 x 1 3/16 / 1 49/64 in	piece
	LTUBE10005	TUB-EQ 1–1000 Hard-foam shower base element, made to measure	0 3/64–39 3/8 x 1 3/16 / 1 49/64 in	piece
	LTUBE10006	TUB-EQ 1001–1200 Hard-foam shower base element, made to measure	39 13/32–47 1/4 x 1 3/16 / 1 49/64 in	piece
	LTUBE10007	TUB-EQ 1201–1400 Hard-foam shower base element, made to measure	47 9/32–55 1/8 x 1 3/16 / 1 49/64 in	piece
	LTUBE10008	TUB-EQ 1401–1600 Hard-foam shower base element, made to measure	55 5/32–62 63/64 x 1 3/16 / 1 49/64 in	piece

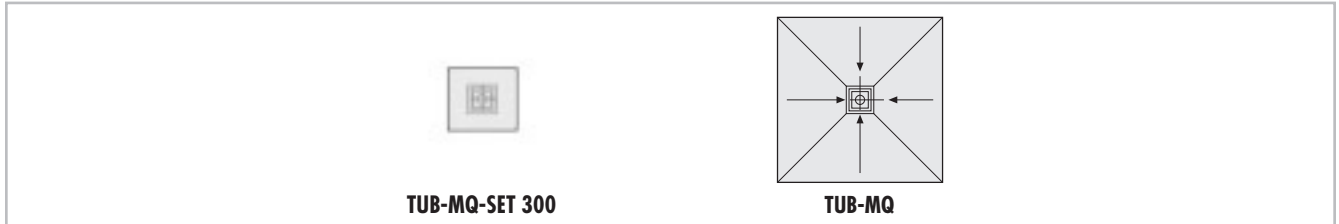
! The design of descending gradients and directions belongs to planning services.
Special designs up to a maximum thickness of 2 9/16 in are possible apart from the descending gradients stated here.

System components COL, DRY

■ PRODUCT SPECIFICATIONS – LUX ELEMENTS®-TUB-MQ

TUB-MQ, hard foam shower base elements, square, integrated and sealed* floor drain support frame 5 5/16 x 5 5/16 inch in the centre. For floor drain supports, see floor drain systems (page 58–61). *not for TUB-MQ-SET 300

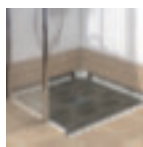
ARTICLE-NUMBER	ARTICLE-NAME / ARTICLE-DESCRIPTION	NOMINAL FORMATS/DIMENSIONS WIDTH x LENGTH x HEIGHT	UNIT
----------------	------------------------------------	--	------



	LTUBE1111	TUB-MQ-SET 300 Hard foam shower drain element with integrated floor drain support 5 5/16 x 5 5/16 inch, loose sealing sleeve (sleeve: 15 3/4 x 15 3/4 in) and substrate element	TUB-MQ: 11 13/16 x 11 13/16 x 1 3/16 in, TUB-UMQ: 11 13/16 x 11 13/16 x 2 11/64 in	set
	LTUBE10101	TUB-MQ 900 Hard-foam shower base element, standard format	35 7/16 x 35 7/16 x 1 3/16 / 1 49/64 in	piece
	LTUBE10102	TUB-MQ 1000 Hard-foam shower base element, standard format	39 3/8 x 39 3/8 x 1 3/16 / 1 49/64 in	piece
	LTUBE10103	TUB-MQ 1200 Hard-foam shower base element, standard format	47 1/4 x 47 1/4 x 1 3/16 / 1 49/64 in	piece
	LTUBE10104	TUB-MQ 1500 Hard-foam shower base element, standard format	59 1/16 x 59 1/16 x 1 3/16 / 1 49/64 in	piece
	LTUBE10105	TUB-MQ 1–1000 Hard-foam shower base element, made to measure	0 3/64–39 3/8 x 1 3/16 / 1 49/64 in	piece
	LTUBE10106	TUB-MQ 1001–1200 Hard-foam shower base element, made to measure	39 13/32–47 1/4 x 1 3/16 / 1 49/64 in	piece
	LTUBE10107	TUB-MQ 1201–1400 Hard-foam shower base element, made to measure	47 9/32–55 1/8 x 1 3/16 / 1 49/64 in	piece
	LTUBE10108	TUB-MQ 1401–1600 Hard-foam shower base element, made to measure	55 5/32–62 63/64 x 1 3/16 / 1 49/64 in	piece

! The design of descending gradients and directions belongs to planning services.
Special designs up to a maximum thickness of 2 9/16 in are possible apart from the descending gradients stated here.

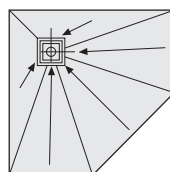
System components COL, DRY



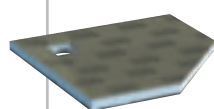
■ PRODUCT SPECIFICATIONS – LUX ELEMENTS®-TUB-EF

TUB-EF, hard foam shower base elements, pentagonal, integrated and sealed floor drain support frame 5 5/16 x 5 5/16 inch in the corner.
For floor drain supports, see floor drain systems (page 58–61).

ARTICLE-NUMBER	ARTICLE-NAME / ARTICLE-DESCRIPTION	NOMINAL FORMATS/DIMENSIONS WIDTH x LENGTH x HEIGHT	UNIT
----------------	------------------------------------	--	------



TUB-EF



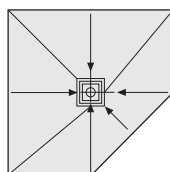
LTUBE10201	TUB-EF 900 Hard-foam shower base element, standard format	35 7/16 x 35 7/16 x 1 3/16 / 1 49/64 in	piece
LTUBE10204	TUB-EF 1000 Hard-foam shower base element, standard format	39 3/8 x 39 3/8 x 1 3/16 / 1 49/64 in	piece
LTUBE10202	TUB-EF 1–1000 Hard-foam shower base element, made to measure	0 3/64–39 3/8 x 1 3/16 / 1 49/64 in	piece
LTUBE10203	TUB-EF 1001–1200 Hard-foam shower base element, made to measure	39 13/32–47 1/4 x 1 3/16 / 1 49/64 in	piece

! The design of descending gradients and directions belongs to planning services.
Special designs up to a maximum thickness of 2 9/16 in are possible apart from the descending gradients stated here.

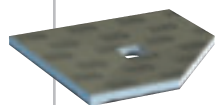
■ PRODUCT SPECIFICATIONS – LUX ELEMENTS®-TUB-MF

TUB-MF, hard foam shower base elements, pentagonal, integrated and sealed floor drain support frame 5 5/16 x 5 5/16 inch in the centre.
For floor drain supports, see floor drain systems (page 58–61).

ARTICLE-NUMBER	ARTICLE-NAME / ARTICLE-DESCRIPTION	NOMINAL FORMATS/DIMENSIONS WIDTH x LENGTH x HEIGHT	UNIT
----------------	------------------------------------	--	------



TUB-MF



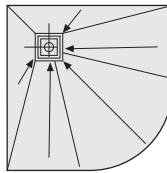
LTUBE10303	TUB-MF 900 Hard-foam shower base element, standard format	35 7/16 x 35 7/16 x 1 3/16 / 1 49/64 in	piece
LTUBE10304	TUB-MF 1000 Hard-foam shower base element, standard format	39 3/8 x 39 3/8 x 1 3/16 / 1 49/64 in	piece
LTUBE10301	TUB-MF 1–1000 Hard-foam shower base element, made to measure	0 3/64–39 3/8 x 1 3/16 / 1 49/64 in	piece
LTUBE10302	TUB-MF 1001–1200 Hard-foam shower base element, made to measure	39 13/32–47 1/4 x 1 3/16 / 1 49/64 in	piece

! The design of descending gradients and directions belongs to planning services.
Special designs up to a maximum thickness of 2 9/16 in are possible apart from the descending gradients stated here.

■ PRODUCT SPECIFICATIONS – LUX ELEMENTS®-TUB-EK

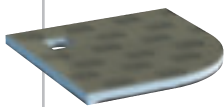
TUB-EK, hard foam shower base elements, quadrant, integrated and sealed floor drain support frame 5 5/16 x 5 5/16 inch in the corner.
For floor drain supports, see floor drain systems (page 58–61).

ARTICLE-NUMBER	ARTICLE-NAME / ARTICLE-DESCRIPTION	NOMINAL FORMATS/DIMENSIONS WIDTH x LENGTH x HEIGHT	UNIT
----------------	------------------------------------	---	------



RADIUS:
19 11/16 in

TUB-EK



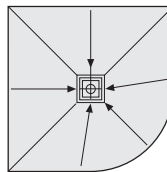
LTUBE10401	TUB-EK 900 Hard-foam shower base element, standard format	35 7/16 x 35 7/16 x 1 3/16 / 1 49/64 in	piece
LTUBE10404	TUB-EK 1000 Hard-foam shower base element, standard format	39 3/8 x 39 3/8 x 1 3/16 / 1 49/64 in	piece
LTUBE10402	TUB-EK 1–1000 Hard-foam shower base element, made to measure	0 3/64–39 3/8 x 1 3/16 / 1 49/64 in	piece
LTUBE10403	TUB-EK 1001–1200 Hard-foam shower base element, made to measure	39 13/32–47 1/4 x 1 3/16 / 1 49/64 in	piece

! The design of descending gradients and directions belongs to planning services.
Special designs up to a maximum thickness of 2 9/16 in are possible apart from the descending gradients stated here.

■ PRODUCT SPECIFICATIONS – LUX ELEMENTS®-TUB-MK

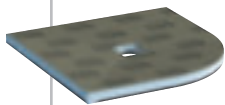
TUB-MK, hard foam shower base elements, quadrant, integrated and sealed floor drain support frame 5 5/16 x 5 5/16 inch in the centre.
For floor drain supports, see floor drain systems (page 58–61).

ARTICLE-NUMBER	ARTICLE-NAME / ARTICLE-DESCRIPTION	NOMINAL FORMATS/DIMENSIONS WIDTH x LENGTH x HEIGHT	UNIT
----------------	------------------------------------	---	------



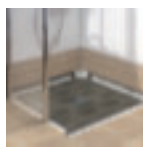
RADIUS:
19 11/16 in

TUB-MK



LTUBE10503	TUB-MK 900 Hard-foam shower base element, standard format	35 7/16 x 35 7/16 x 1 3/16 / 1 49/64 in	piece
LTUBE10504	TUB-MK 1000 Hard-foam shower base element, standard format	39 3/8 x 39 3/8 x 1 3/16 / 1 49/64 in	piece
LTUBE10501	TUB-MK 1–1000 Hard-foam shower base element, made to measure	0 3/64–39 3/8 x 1 3/16 / 1 49/64 in	piece
LTUBE10502	TUB-MK 1001–1200 Hard-foam shower base element, made to measure	39 13/32–47 1/4 x 1 3/16 / 1 49/64 in	piece

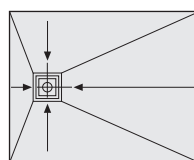
! The design of descending gradients and directions belongs to planning services.
Special designs up to a maximum thickness of 2 9/16 in are possible apart from the descending gradients stated here.



■ **PRODUCT SPECIFICATIONS – LUX ELEMENTS®-TUB-ER**

TUB-ER, hard foam shower base elements, rectangular, integrated and sealed floor drain support frame 5 5/16 x 5 5/16 inch off-centre.
For floor drain supports, see floor drain systems (page 58–61).

ARTICLE-NUMBER	ARTICLE-NAME / ARTICLE-DESCRIPTION	NOMINAL FORMATS/DIMENSIONS WIDTH x LENGTH x HEIGHT	UNIT
----------------	------------------------------------	--	------



TUB-ER

	LTUBE10614	TUB-ER 1000/800 Hard-foam shower base element, standard format	39 3/8 x 31 1/2 x 1 3/16 / 1 49/64 in	piece
	LTUBE10601	TUB-ER 1200/900 Hard-foam shower base element, standard format	47 1/4 x 35 7/16 x 1 3/16 / 1 49/64 in	piece
	LTUBE10602	TUB-ER 1200/1000 Hard-foam shower base element, standard format	47 1/4 x 39 3/8 x 1 3/16 / 1 49/64 in	piece
	LTUBE10615	TUB-ER 1300/900 Hard-foam shower base element, standard format	51 3/16 x 35 7/16 x 1 3/16 / 1 49/64 in	piece
	LTUBE10603	TUB-ER 1400/900 Hard-foam shower base element, standard format	55 1/8 x 35 7/16 x 1 3/16 / 1 49/64 in	piece
	LTUBE10604	TUB-ER 1500/900 Hard-foam shower base element, standard format	59 1/16 x 35 7/16 x 1 3/16 / 1 49/64 in	piece
	LTUBE10605	TUB-ER 1600/900 Hard-foam shower base element, standard format	62 63/64 x 35 7/16 x 1 3/16 / 1 49/64 in	piece
	LTUBE10606	TUB-ER 1–1000 Hard-foam shower base element, made to measure	0 3/64–39 3/8 x 1 3/16 / 1 49/64 in	piece
	LTUBE10607	TUB-ER 1001–1200 Hard-foam shower base element, made to measure	39 13/32–47 1/4 x 1 3/16 / 1 49/64 in	piece
	LTUBE10608	TUB-ER 1201–1400 Hard-foam shower base element, made to measure	47 9/32–55 1/8 x 1 3/16 / 1 49/64 in	piece
	LTUBE10609	TUB-ER 1401–1600 Hard-foam shower base element, made to measure	55 5/32–62 63/64 x 1 3/16 / 1 49/64 in	piece
	LTUBE10610	TUB-ER 1601–1800 Hard-foam shower base element, made to measure, manufactured in 2 parts, incl. 1 piece COL-MK	63 1/32–70 55/64 x 1 3/16 / 1 49/64 in	piece
	LTUBE10611	TUB-ER 1801–2000 Hard-foam shower base element, made to measure, manufactured in 2 parts, incl. 1 piece COL-MK	70 29/32–78 47/64 x 1 3/16 / 1 49/64 in	piece
	LTUBE10612	TUB-ER 2001–2200 Hard-foam shower base element, made to measure, manufactured in 2 parts, incl. 1 piece COL-MK	78 25/32–86 39/64 x 1 3/16 / 1 49/64 in	piece

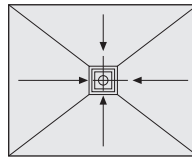
! The design of descending gradients and directions belongs to planning services.
Special designs up to a maximum thickness of 2 9/16 in are possible apart from the descending gradients stated here.

System components COL, DRY

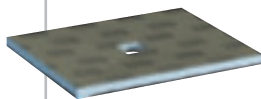
■ PRODUCT SPECIFICATIONS – LUX ELEMENTS®-TUB-MR

TUB-MR, hard foam shower base elements, rectangular, integrated and sealed floor drain support frame 5 5/16 x 5 5/16 inch in the centre.
For floor drain supports, see floor drain systems (page 58–61).

ARTICLE-NUMBER	ARTICLE-NAME / ARTICLE-DESCRIPTION	NOMINAL FORMATS/DIMENSIONS WIDTH x LENGTH x HEIGHT	UNIT
----------------	------------------------------------	--	------



TUB-MR



LTUBE10701	TUB-MR 1000/800 Hard-foam shower base element, standard format	39 3/8 x 31 1/2 x 1 3/16 / 1 49/64 in	piece
LTUBE10702	TUB-MR 1200/900 Hard-foam shower base element, standard format	47 1/4 x 35 7/16 x 1 3/16 / 1 49/64 in	piece
LTUBE10703	TUB-MR 1200/1000 Hard-foam shower base element, standard format	47 1/4 x 39 3/8 x 1 3/16 / 1 49/64 in	piece
LTUBE10717	TUB-MR 1300/900 Hard-foam shower base element, standard format	51 3/16 x 35 7/16 x 1 3/16 / 1 49/64 in	piece
LTUBE10704	TUB-MR 1400/900 Hard-foam shower base element, standard format	55 1/8 x 35 7/16 x 1 3/16 / 1 49/64 in	piece
LTUBE10705	TUB-MR 1500/900 Hard-foam shower base element, standard format	59 1/16 x 35 7/16 x 1 3/16 / 1 49/64 in	piece
LTUBE10706	TUB-MR 1600/900 Hard-foam shower base element, standard format	62 63/64 x 35 7/16 x 1 3/16 / 1 49/64 in	piece
LTUBE10707	TUB-MR 1-1000 Hard-foam shower base element, made to measure	0 3/64-39 3/8 x 1 3/16 / 1 49/64 in	piece
LTUBE10708	TUB-MR 1001-1200 Hard-foam shower base element, made to measure	39 13/32-47 1/4 x 1 3/16 / 1 49/64 in	piece
LTUBE10709	TUB-MR 1201-1400 Hard-foam shower base element, made to measure	47 9/32-55 1/8 x 1 3/16 / 1 49/64 in	piece
LTUBE10710	TUB-MR 1401-1600 Hard-foam shower base element, made to measure	55 5/32-62 63/64 x 1 3/16 / 1 49/64 in	piece
LTUBE10711	TUB-MR 1601-1800 Hard-foam shower base element, made to measure, manufactured in 2 parts, incl. 1 piece COL-MK	63 1/32-70 55/64 x 1 3/16 / 1 49/64 in	piece
LTUBE10712	TUB-MR 1801-2000 Hard-foam shower base element, made to measure, manufactured in 2 parts, incl. 1 piece COL-MK	70 29/32-78 47/64 x 1 3/16 / 1 49/64 in	piece
LTUBE10713	TUB-MR 2001-2200 Hard-foam shower base element, made to measure, manufactured in 2 parts, incl. 1 piece COL-MK	78 25/32-86 39/64 x 1 3/16 / 1 49/64 in	piece

! The design of descending gradients and directions belongs to planning services.
Special designs up to a maximum thickness of 2 9/16 in are possible apart from the descending gradients stated here.

System components COL, DRY



TUB-H – Flush with the floor shower bases for the use on wooden sub-constructions

In buildings concrete floors are not always found in bathrooms. Due to national circumstances or for ecological planning reasons, it may occur that a wooden planking on a bearing structure serves as substrate for a shower base.

For this application purpose, LUX ELEMENTS offers the models TUB-HEQ/-HMQ (square, drain in the corner or in the centre) and TUB-HER/-HMR (rectangular, drain in the corner or in the centre). All models have a factory-sealed top surface and are equipped with a sealed-in floor drain frame.

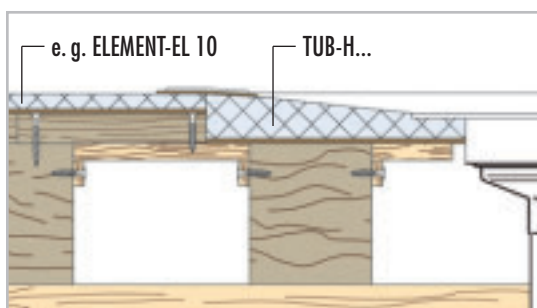
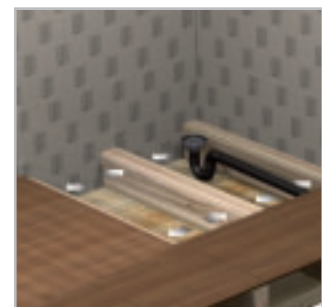
With an installation height of $0\ 19/32$ / $1\ 3/16$ in and a build-in gradient, these shower bases are particularly flat and can be easily integrated into existing wooden floors. A special reinforcement is attached to the underside of the shower bases for stability reasons.

The drain technology, which is easy to mount due to a click system, can be easily installed in the cavity between two load-bearing planks.

We will be pleased to compile the appropriate mounting accessories for you. Please contact us!

See also TUB-LINE H page 70.

Note: A planning expert is to be consulted when intervening in components with load-bearing function. Furthermore, national guidelines and generally recognised codes of practice must be observed.



$0\ 19/32$ $1\ 3/16$
 $0\ 19/32$



Please note: Dimensions in inch. Measures without adhesive coating and tiles.

■ PRODUCT SPECIFICATIONS – LUX ELEMENTS®-TUB-H

TUB-H..., hard foam shower base elements, square or rectangular, integrated and sealed floor drain support frame 5 5/16 x 5 5/16 inch, in the corner bzw. in the centre, for the use on wooden sub-constructions. For floor drain supports, see floor drain systems (page 58–61).

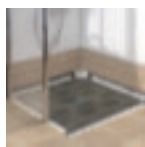
ARTICLE-NUMBER	ARTICLE-NAME / ARTICLE-DESCRIPTION	NOMINAL FORMATS/DIMENSIONS WIDTH x LENGTH x HEIGHT	UNIT
----------------	------------------------------------	---	------

<p>TUB-HEQ: TUB-HEQ 900: a = 35 7/16 in TUB-HEQ 1200: a = 47 1/4 in</p>	<p>TUB-HMQ: TUB-HMQ 900: a = 35 7/16 in TUB-HMQ 1200: a = 47 1/4 in</p>	<p>TUB-HER: TUB-HER 1200/900: a = 35 7/16, b = 47 1/4 in TUB-HER 1600/900: a = 35 7/16, b = 62 63/64 in</p>	<p>TUB-HMR: TUB-HMR 1200/900: a = 35 7/16, b = 47 1/4 in TUB-HMR 1600/900: a = 35 7/16, b = 62 63/64 in</p>
--	--	--	--

	LTUBE17001 TUB-HEQ 900 Hard-foam shower base element, standard format, drain in the corner	35 7/16 x 35 7/16 x 0 19/32 / 1 3/16 in	piece
	LTUBE17002 TUB-HEQ 1200 Hard-foam shower base element, standard format, drain in the corner	47 1/4 x 47 1/4 x 0 19/32 / 1 3/16 in	piece
	LTUBE17101 TUB-HMQ 900 Hard-foam shower base element, standard format, drain in the centre	35 7/16 x 35 7/16 x 0 19/32 / 1 3/16 in	piece
	LTUBE17102 TUB-HMQ 1200 Hard-foam shower base element, standard format, drain in the centre	47 1/4 x 47 1/4 x 0 19/32 / 1 3/16 in	piece
	LTUBE17011 TUB-HER 1200/900 Hard-foam shower base element, standard format, drain in the corner	47 1/4 x 35 7/16 x 0 19/32 / 1 3/16 in	piece
	LTUBE17012 TUB-HER 1600/900 Hard-foam shower base element, standard format, drain in the corner	62 63/64 x 35 7/16 x 0 19/32 / 1 3/16 in	piece
	LTUBE17111 TUB-HMR 1200/900 Hard-foam shower base element, standard format, drain in the centre	47 1/4 x 35 7/16 x 0 19/32 / 1 3/16 in	piece
	LTUBE17112 TUB-HMR 1600/900 Hard-foam shower base element, standard format, drain in the centre	62 63/64 x 35 7/16 x 0 19/32 / 1 3/16 in	piece

The design of descending gradients and directions belongs to planning services.

System components COL, DRY



TUB-BOL – Shower bases as a substitute for bath tubs

Showers are in line with the trend. More often they are preferred to bath tubs. This has not only optical but also economical, practical and health-oriented reasons.

When redeveloping or renovating, bath tubs – often built into niches – are willingly exchanged for shower bases in a long format. For this application the system TUB-BOL is the ideal solution if a shower base with point drainage is requested.

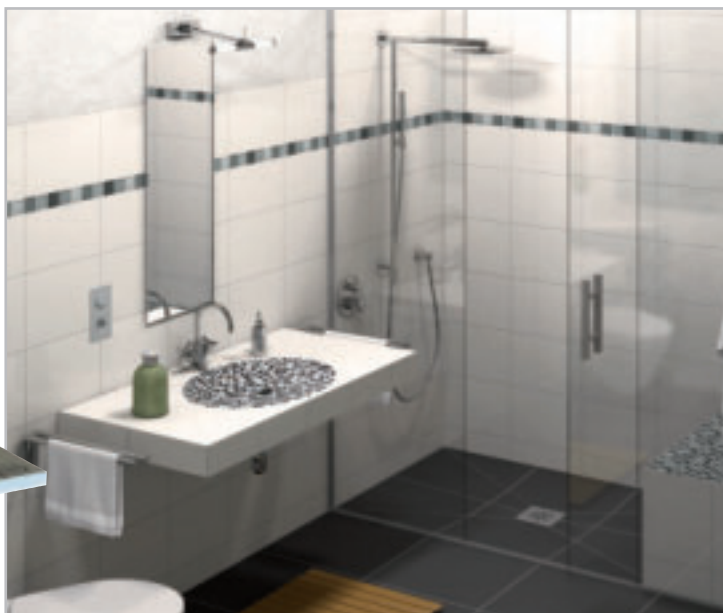
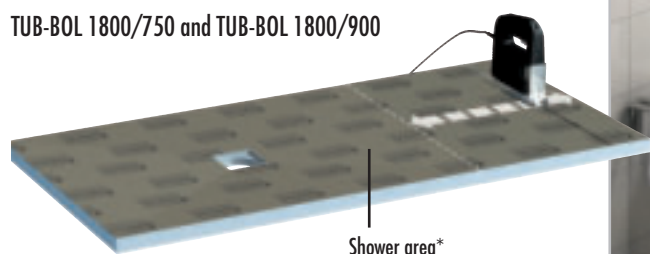
TUB-BOL 1800/750 and TUB-BOL 1800/900 –

Factory-sealed hard foam shower base element with integrated and sealed floor drain support frame, slope area from 29 17/32 / 35 7/16 x 47 1/4 in, can be cut to length, minimum of 29 17/32 / 35 7/16 x 47 1/4 in.



See also TUB-LINE BOL page 72.

TUB-BOL 1800/750 and TUB-BOL 1800/900



Accessories

As an option, you can add to all systems matching seats made of hard foam support elements (e.g. MODUL-BA-SOLO, see page 115). We will be pleased to compile the appropriate mounting accessories for you. Please contact us!

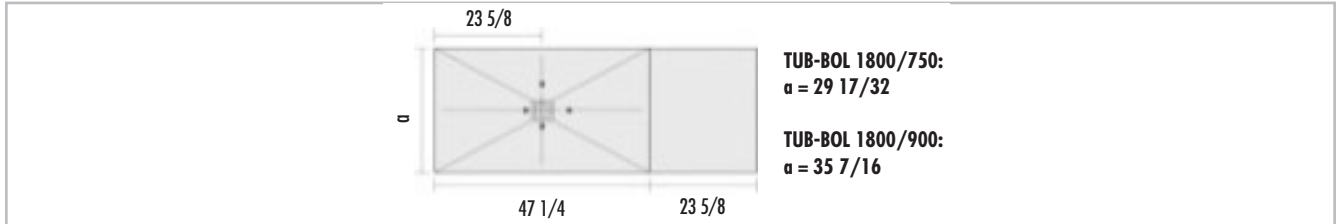


***Note:** the fittings are to be located in the shower area.

■ PRODUCT SPECIFICATIONS – LUX ELEMENTS®-TUB-BOL

TUB-BOL, building kits for the substitution of bath tubs.
For floor drain supports, see floor drain systems (page 58–61).

ARTICLE-NUMBER	ARTICLE-NAME / ARTICLE-DESCRIPTION	NOMINAL FORMATS/DIMENSIONS WIDTH x LENGTH x HEIGHT	UNIT
----------------	------------------------------------	---	------



	LTUBE18016	TUB-BOL 1800/750 Hard foam shower base element, with integrated and sealed floor drain support frame 5 5/16 x 5 5/16 inch, can be cut to length to minimum 29 17/32 x 47 1/4 in, slope area from 29 17/32 x 47 1/4 in, drain in the slope area in the centre	70 55/64 x 29 17/32 x 1 3/16 / 1 49/64 in	piece
	LTUBE18018	TUB-BOL 1800/900 Hard foam shower base element, with integrated and sealed floor drain support frame 5 5/16 x 5 5/16 inch, can be cut to length to minimum 35 7/16 x 47 1/4 in, slope area from 35 7/16 x 47 1/4 in, drain in the slope area in the centre	70 55/64 x 35 7/16 x 1 3/16 / 1 49/64 in	piece

! The design of descending gradients and directions belongs to planning services. Special designs are possible apart from the descending gradients stated here.

System components COL, DRY



TUB Floor drain systems

■ Grate fitting frame with standard grate

TUB-RA-S (Grate fitting frame standard)
Grate fitting frame made of ABS and standard stainless steel grate; universal height adjustment to suit tile thickness

* Grate fitting frame with grooved structure: first groove for 0 13/64 in mosaic covering, further grooves approx. every 0 1/8 in.



■ Grate fitting frame with design grate

TUB-RA-DA 'ANGOLO'

Grate fitting frame made from ABS, with frame and design grate 'ANGOLO' made of stainless steel. Universal height adjustment to suit tile thickness is possible (see page 58).

TUB-RA-DC 'CUBE'

Grate fitting frame made from ABS, with frame and design grate 'CUBE' made of stainless steel. Universal height adjustment to suit tile thickness is possible (see page 58).

TUB-RA-DM 'MARE'

Grate fitting frame made from ABS, with frame and design grate 'MARE' made of stainless steel. Universal height adjustment to suit tile thickness is possible (see page 58).

TUB-RA-DL 'LUMEN'

Grate fitting frame made from ABS, with frame and design grate 'LUMEN' made of stainless steel. Universal height adjustment to suit tile thickness is possible (see page 58).

TUB-RA-DV 'VARI'

Grate fitting frame made from ABS, with frame and tileable cover made of stainless steel. Universal height adjustment to suit tile thickness is possible (see page 58).

TUB-RA-DS

Grate fitting frame made from ABS, with frame and design grate made of stainless steel, with locking system. Universal height adjustment to suit tile thickness is possible.

TUB-RA-DF

Grate fitting frame made from ABS, with frame made of stainless steel and tileable cover made of plastic, with locking system. Universal height adjustment to suit tile thickness is possible.

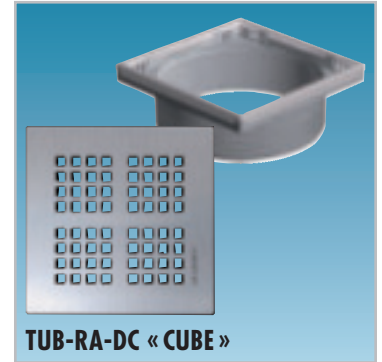
■ Thickness of surface covering (tile and adhesive)...

- TUB-RA-S/DA/DC/DM/DL/DS:
... for the shower tray: minimum 0 13/64 in
- TUB-RA-DV: ... for the shower tray: minimum 0 13/64 in
... for the tileable covering: 0 5/16 in
- TUB-RA-DF: ... for the shower tray: minimum 0 35/64 in
... for the tileable covering: 0 7/16 in

■ Please note: Flow capacity when using design grates and/or accessories, see data sheet TUB.



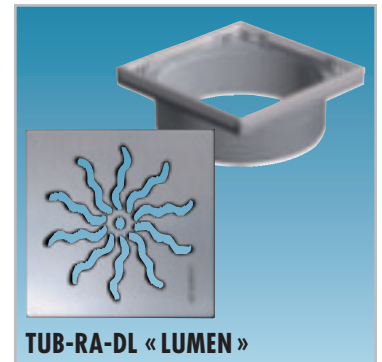
TUB-RA-DA « ANGOLO »



TUB-RA-DC « CUBE »



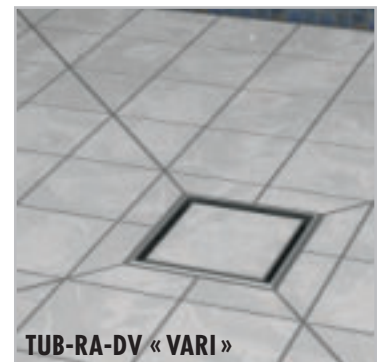
TUB-RA-DM « MARE »



TUB-RA-DL « LUMEN »



TUB-RA-DV « VARI »



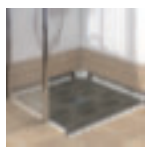
TUB-RA-DV « VARI »



TUB-RA-DS



TUB-RA-DF



■ **PRODUCT SPECIFICATIONS –TUB FLOOR DRAIN SYSTEMS**

	ARTICLE-NUMBER	ARTICLE-NAME / ARTICLE-DESCRIPTION	DIMENSIONS WIDTH x LENGTH	UNIT
	LTUBE1104	TUB-RA-DA Grate fitting frame made from ABS, with frame and design grate 'ANGOLO' made of stainless steel, universal height adjustment to suit tile thickness is possible	external frame dimensions: 5 13/64 x 5 13/64 in, grate: 4 23/32 x 4 23/32 in	set
	LTUBE1105	TUB-RA-DC Grate fitting frame made from ABS, with frame and design grate 'CUBE' made of stainless steel, universal height adjustment to suit tile thickness is possible	external frame dimensions: 5 13/64 x 5 13/64 in, grate: 4 23/32 x 4 23/32 in	set
	LTUBE1106	TUB-RA-DM Grate fitting frame made from ABS, with frame and design grate 'MARE' made of stainless steel, universal height adjustment to suit tile thickness is possible	external frame dimensions: 5 13/64 x 5 13/64 in, grate: 4 23/32 x 4 23/32 in	set
	LTUBE1107	TUB-RA-DL Grate fitting frame made from ABS, with frame and design grate 'LUMEN' made of stainless steel, universal height adjustment to suit tile thickness is possible	external frame dimensions: 5 13/64 x 5 13/64 in, grate: 4 23/32 x 4 23/32 in	set
	LTUBE1108	TUB-RA-DV Grate fitting frame made from ABS, with frame made of stainless steel and tileable cover 'VARI' made of stainless steel, universal height adjustment to suit tile thickness is possible, thickness of surface covering (tile and adhesive) for the shower tray minimum 0 13/64 in, for the tileable covering 0 5/16 in	external frame dimensions: 5 13/64 x 5 13/64 in, cover: 4 21/64 x 4 21/64 in	set
	LTUBE1110	TUB-RA-DS Grate fitting frame made from ABS, with frame and design grate 'Slot' made of stainless steel, universal height adjustment to suit tile thickness is possible, with locking system	external frame dimensions: 5 13/64 x 5 13/64 in, grate: 4 23/32 x 4 23/32 in	set
	LTUBE1109	TUB-RA-DF Grate fitting frame made from ABS, with frame made of stainless steel and tileable plastic cover, universal height adjustment to suit tile thickness is possible, with locking system, thickness of surface covering (tile and adhesive) for the shower tray minimum 0 35/64 in, for the tileable covering 0 7/16 in	external frame dimensions: 5 13/64 x 5 13/64 in, cover: 4 21/64 x 4 21/64 in	set

to fit all LUX ELEMENTS®-TUB-shower base elements and shower drain element TUB-MQ-SET 300

System components COL, DRY

TUB floor drain systems accessories

TUB-BA-S CST

Floor drain support 2" vertical



TUB-BAZ HS

Removable hair trap, reliably collects hair and dirt and prevents any blockage in the drain pipe.

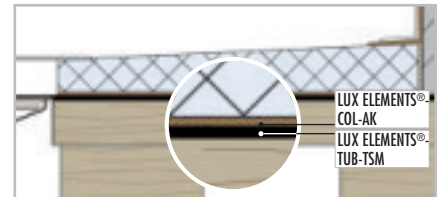


Abb. Kessel



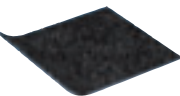


TUB-TSM

Impact sound insulating mat for LUX ELEMENTS flush with the floor shower base elements. For the prevention of noise nuisance caused by running water, e.g. in apartment blocks, nursing homes and hotels.



■ PRODUCT SPECIFICATIONS – TUB FLOOR DRAIN SYSTEMS ACCESSORIES

	ARTICLE-NUMBER	ARTICLE-NAME / ARTICLE-DESCRIPTION	DIMENSIONS WIDTH x LENGTH x HEIGHT	UNIT
	LTUBE1201	TUB-BA-S CST Floor drain support 2" vertical		piece
	LTUBE1189	TUB-BAZ HS Removable hair trap		piece
	LTUBE1191	TUB-TSM Impact sound insulating mat for LUX ELEMENTS flush with the floor shower base elements	49 7/32 x 49 7/32 x 0 15/64 in	piece

to fit all LUX ELEMENTS®-TUB-shower base elements and shower drain element TUB-MQ-SET 300

System components COL, DRY



Linear drainage

TUB-LINE

Hard foam shower base element with sealed floor channel drain

Hard foam shower base elements for linear drainage, square or rectangular, with integrated and sealed floor channel drain 2 3/4 x 29 17/32 in or 2 3/4 x 33 15/32 in. The cover rail and a loose frame as a tiling aid are made of brushed stainless steel.

Gradient variants

There are two gradient options to choose from: The 4-sided gradient runs from the outer edges to the drain, so no special cutting of the tiles above the shower base is necessary. As an alternative, the single-sided gradient to the drain can be chosen.

Design cover rail

The system offers two design options due to a reversible channel cover rail. One side has a brushed stainless steel surface, the other can be tiled to match the entire shower base. By simply turning, the desired side faces upwards.

Firmly connected floor drain supports

The floor drain support is firmly fixed to the channel by means of a strong clip technique. This ensures a high degree of reliability with regard to leak tightness.

Height-adjustable for optimum adaptation to covering thickness

Separately provided adapters that can be cut as required enable height adjustability of the channel for surface covering thicknesses from 0 13/64 to 0 43/64 in.

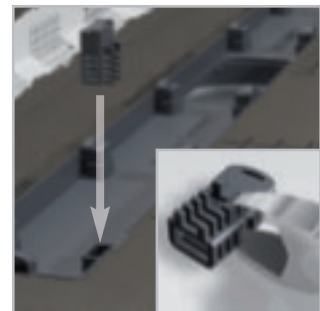
Drain system (see page 45) with high flow rate.



One channel – two designs

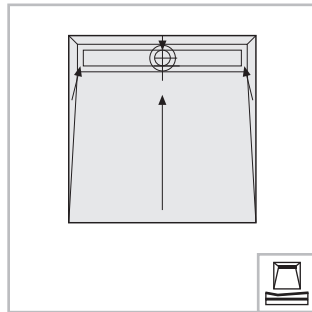
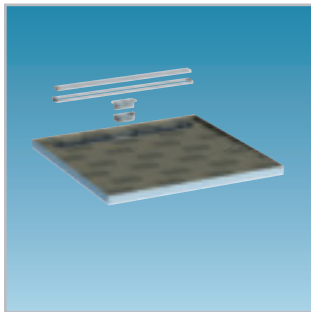


Firmly connected floor drain supports

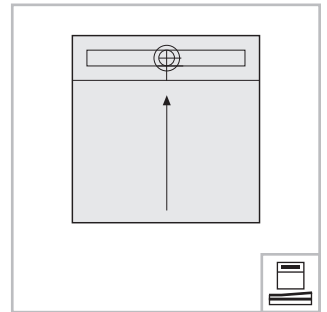
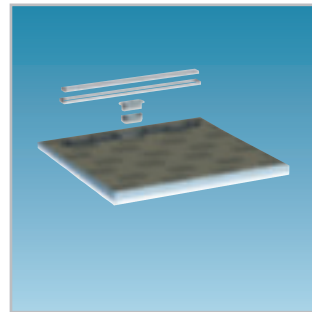


Height-adjustable for optimum adaptation to covering thickness

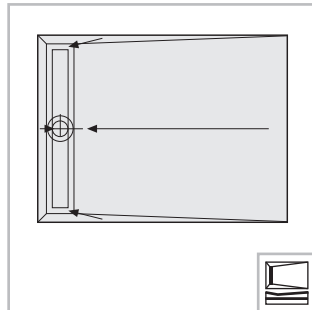
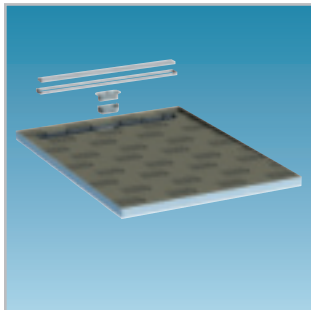
Design and gradient variants



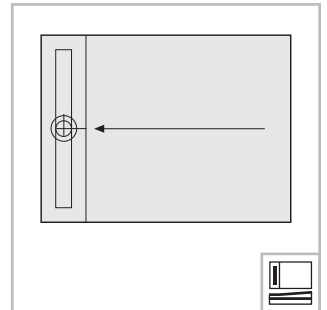
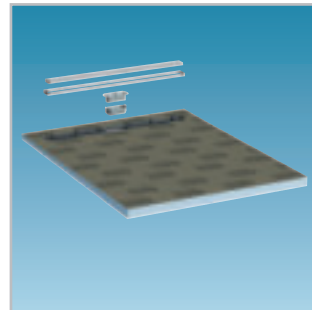
TUB-LINE Q4 ... – square / 4-sided gradient



TUB-LINE Q1 ... – square / single sided gradient

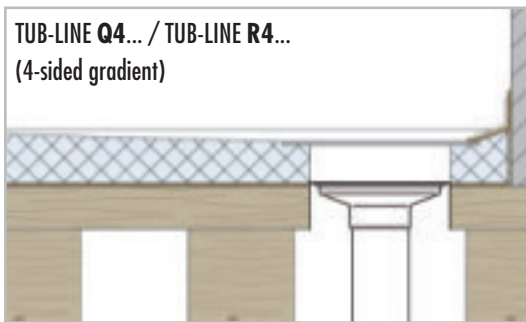


TUB-LINE R4 ... – rectangular / 4-sided gradient



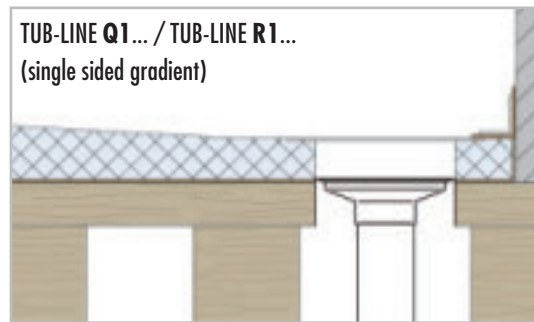
TUB-LINE R1 ... – rectangular / single sided gradient

Installation heights



TUB-LINE Q4... / TUB-LINE R4...
(4-sided gradient)

1 49/64 1 3/16



TUB-LINE Q1... / TUB-LINE R1...
(single sided gradient)

1 49/64 1 3/16

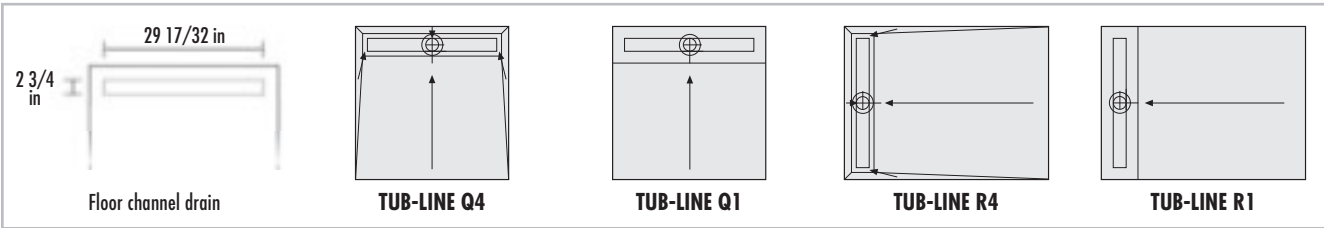
Please note: Dimensions in inch. Measures without adhesive coating and tiles. For further details, please see technical data sheet TUB-LINE.



■ **PRODUCT SPECIFICATIONS – LUX ELEMENTS®-TUB-LINE (floor channel drain 2 3/4 x 29 17/32 in – standard format)**

TUB-LINE, hard foam shower base elements, square or rectangular, with integrated and sealed floor channel drain 2 3/4 x 29 17/32 in on shorter side. Cover rail brushed stainless steel, with odour trap, height adjustable with height adapter from 0 13/64 – 0 43/64 in. Floor drain supports and accessories see page 74.

ARTICLE-NUMBER	ARTICLE-NAME / ARTICLE-DESCRIPTION	NOMINAL FORMATS/DIMENSIONS WIDTH x LENGTH x HEIGHT	UNIT
----------------	------------------------------------	--	------



	LTUBE94001	TUB-LINE Q4 900 Hard foam shower base element, square, with floor channel drain, with 4-sided gradient, standard format	35 7/16 x 35 7/16 x 1 3/16 / 1 49/64 in	piece
	LTUBE94002	TUB-LINE Q1 900 Hard foam shower base element, square, with floor channel drain, with descending gradient on one side, standard format	35 7/16 x 35 7/16 x 1 3/16 / 1 49/64 in	piece
	LTUBE94003	TUB-LINE R4 1200/900 Hard foam shower base element, rectangular, with floor channel drain, with 4-sided gradient, standard format	47 1/4 x 35 7/16 x 1 3/16 / 1 49/64 in	piece
	LTUBE94004	TUB-LINE R1 1200/900 Hard foam shower base element, rectangular, with floor channel drain, with descending gradient on one side, standard format	47 1/4 x 35 7/16 x 1 3/16 / 1 49/64 in	piece
	LTUBE94005	TUB-LINE R4 1400/900 Hard foam shower base element, rectangular, with floor channel drain, with 4-sided gradient, standard format	55 1/8 x 35 7/16 x 1 3/16 / 1 49/64 in	piece
	LTUBE94006	TUB-LINE R1 1400/900 Hard foam shower base element, rectangular, with floor channel drain, with descending gradient on one side, standard format	55 1/8 x 35 7/16 x 1 3/16 / 1 49/64 in	piece
	LTUBE94007	TUB-LINE R4 1600/900 Hard foam shower base element, rectangular, with floor channel drain, with 4-sided gradient, standard format	62 63/64 x 35 7/16 x 1 3/16 / 1 49/64 in	piece
	LTUBE94008	TUB-LINE R1 1600/900 Hard foam shower base element, rectangular, with floor channel drain, with descending gradient on one side, standard format	62 63/64 x 35 7/16 x 1 3/16 / 1 49/64 in	piece

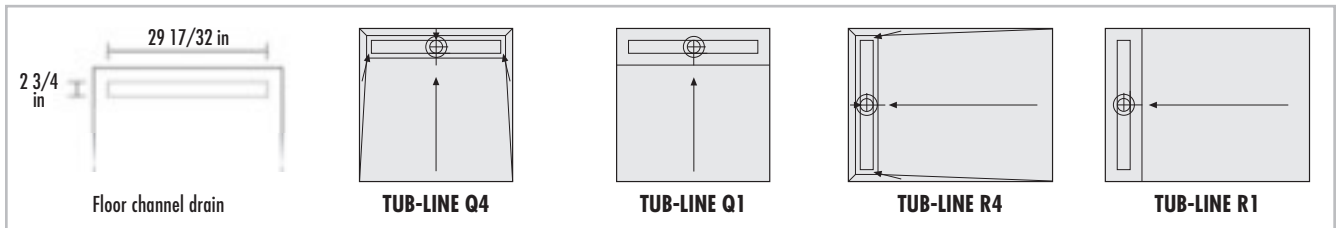
! The design of descending gradients and directions belongs to planning services.

System components COL, DRY

■ **PRODUCT SPECIFICATIONS – LUX ELEMENTS®-TUB-LINE (floor channel drain 2 3/4 x 29 17/32 in – made to measure)**

TUB-LINE, hard foam shower base elements, square or rectangular, with integrated and sealed floor channel drain 2 3/4 x 29 17/32 in on shorter side. Cover rail brushed stainless steel, with odour trap, height adjustable with height adapter from 0 13/64 – 0 43/64 in. Floor drain supports and accessories see page 74.

ARTICLE-NUMBER	ARTICLE-NAME / ARTICLE-DESCRIPTION	NOMINAL FORMATS/DIMENSIONS WIDTH x LENGTH x HEIGHT	UNIT
----------------	------------------------------------	--	------



	LTUBE94009	TUB-LINE Q4 900–1000 Hard foam shower base element, square, with floor channel drain, with 4-sided gradient, made to measure	35 7/16–39 3/8 x 35 7/16–39 3/8 1 3/16 / 1 49/64 in	piece
	LTUBE94010	TUB-LINE Q1 870–1000 Hard foam shower base element, square, with floor channel drain, with descending gradient on one side, made to measure	34 1/4–39 3/8 x 34 1/4–39 3/8 x 1 3/16 / 1 49/64 in	piece
	LTUBE94011	TUB-LINE R4 1000–1200/900–1000 Hard foam shower base element, rectangular, with floor channel drain, with 4-sided gradient, made to measure	39 3/8–47 1/4 x 35 7/16–39 3/8 x 1 3/16 / 1 49/64 in	piece
	LTUBE94012	TUB-LINE R1 1000–1200/870–1000 Hard foam shower base element, rectangular, with floor channel drain, with descending gradient on one side, made to measure	39 3/8–47 1/4 x 34 1/4–39 3/8 x 1 3/16 / 1 49/64 in	piece
	LTUBE94013	TUB-LINE R4 1200–1400/900–1000 Hard foam shower base element, rectangular, with floor channel drain, with 4-sided gradient, made to measure	47 1/4–55 1/8 x 35 7/16–39 3/8 x 1 3/16 / 1 49/64 in	piece
	LTUBE94014	TUB-LINE R1 1200–1400/870–1000 Hard foam shower base element, rectangular, with floor channel drain, with descending gradient on one side, made to measure	47 1/4–55 1/8 x 34 1/4–39 3/8 x 1 3/16 / 1 49/64 in	piece
	LTUBE94015	TUB-LINE R4 1400–1600/900–1000 Hard foam shower base element, rectangular, with floor channel drain, with 4-sided gradient, made to measure	55 1/8–62 63/64 x 35 7/16–39 3/8 x 1 3/16 / 1 49/64 in	piece
	LTUBE94016	TUB-LINE R1 1400–1600/870–1000 Hard foam shower base element, rectangular, with floor channel drain, with descending gradient on one side, made to measure	55 1/8–62 63/64 x 34 1/4–39 3/8 x 1 3/16 / 1 49/64 in	piece

The design of descending gradients and directions belongs to planning services.

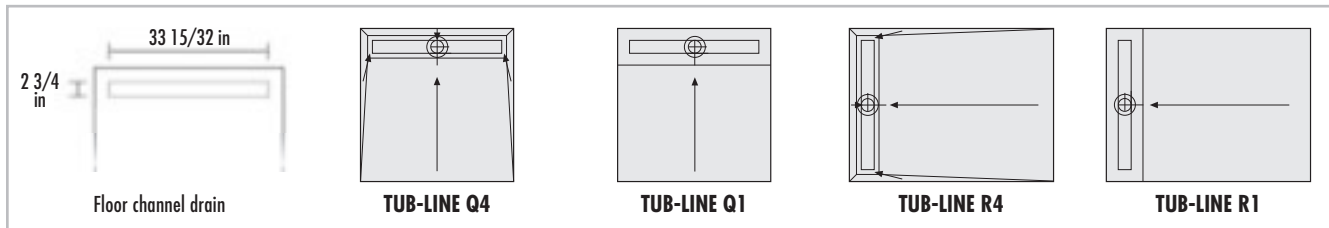
System components COL, DRY



■ **PRODUCT SPECIFICATIONS – LUX ELEMENTS®-TUB-LINE (floor channel drain 2 3/4 x 33 15/32 in – standard format)**

TUB-LINE, hard foam shower base elements, square or rectangular, with integrated and sealed floor channel drain 2 3/4 x 33 15/32 in on shorter side. Cover rail brushed stainless steel, with odour trap, height adjustable with height adapter from 0 13/64 – 0 43/64 in. Floor drain supports and accessories see page 74.

ARTICLE-NUMBER	ARTICLE-NAME / ARTICLE-DESCRIPTION	NOMINAL FORMATS/DIMENSIONS WIDTH x LENGTH x HEIGHT	UNIT
----------------	------------------------------------	--	------



	LTUBE94017	TUB-LINE Q4 1000 Hard foam shower base element, square, with floor channel drain, with 4-sided gradient, standard format	39 3/8 x 39 3/8 x 1 3/16 / 1 49/64 in	piece
	LTUBE94018	TUB-LINE Q1 1000 Hard foam shower base element, square, with floor channel drain, with descending gradient on one side, standard format	39 3/8 x 39 3/8 x 1 3/16 / 1 49/64 in	piece
	LTUBE94019	TUB-LINE Q4 1200 Hard foam shower base element, square, with floor channel drain, with 4-sided gradient, standard format	47 1/4 x 47 1/4 x 1 3/16 / 1 49/64 in	piece
	LTUBE94020	TUB-LINE Q1 1200 Hard foam shower base element, square, with floor channel drain, with descending gradient on one side, standard format	47 1/4 x 47 1/4 x 1 3/16 / 1 49/64 in	piece
	LTUBE94021	TUB-LINE R4 1200/1000 Hard foam shower base element, rectangular, with floor channel drain, with 4-sided gradient, standard format	47 1/4 x 39 3/8 x 1 3/16 / 1 49/64 in	piece
	LTUBE94022	TUB-LINE R1 1200/1000 Hard foam shower base element, rectangular, with floor channel drain, with descending gradient on one side, standard format	47 1/4 x 39 3/8 x 1 3/16 / 1 49/64 in	piece

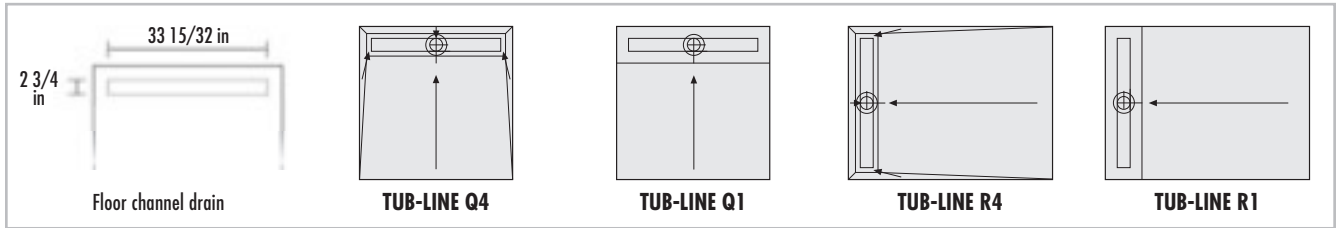
! The design of descending gradients and directions belongs to planning services.

System components COL, DRY

■ **PRODUCT SPECIFICATIONS – LUX ELEMENTS®-TUB-LINE (floor channel drain 2 3/4 x 33 15/32 in – made to measure)**

TUB-LINE, hard foam shower base elements, square or rectangular, with integrated and sealed floor channel drain 2 3/4 x 33 15/32 in on shorter side. Cover rail brushed stainless steel, with odour trap, height adjustable with height adapter from 0 13/64 – 0 43/64 in. Floor drain supports and accessories see page 74.

ARTICLE-NUMBER	ARTICLE-NAME / ARTICLE-DESCRIPTION	NOMINAL FORMATS/DIMENSIONS WIDTH x LENGTH x HEIGHT	UNIT
----------------	------------------------------------	--	------



	LTUBE94023	TUB-LINE Q4 1000–1200 Hard foam shower base element, square, with floor channel drain, with 4-sided gradient, made to measure	39 3/8–47 1/4 x 39 3/8–47 1/4 x 1 3/16 / 1 49/64 in	piece
	LTUBE94024	TUB-LINE Q1 970–1200 Hard foam shower base element, square, with floor channel drain, with descending gradient on one side, made to measure	38 3/16–47 1/4 x 38 3/16–47 1/4 x 1 3/16 / 1 49/64 in	piece
	LTUBE94025	TUB-LINE R4 1000–1200/1000–1100 Hard foam shower base element, square, with floor channel drain, with 4-sided gradient, made to measure	39 3/8–47 1/4 x 39 3/8–43 5/16 x 1 3/16 / 1 49/64 in	piece
	LTUBE94026	TUB-LINE R1 1000–1200/970–1100 Hard foam shower base element, square, with floor channel drain, with descending gradient on one side, made to measure	39 3/8–47 1/4 x 38 3/16–43 5/16 x 1 3/16 / 1 49/64 in	piece

! The design of descending gradients and directions belongs to planning services.

System components COL, DRY



TUB-LINE RT

Channel support elements

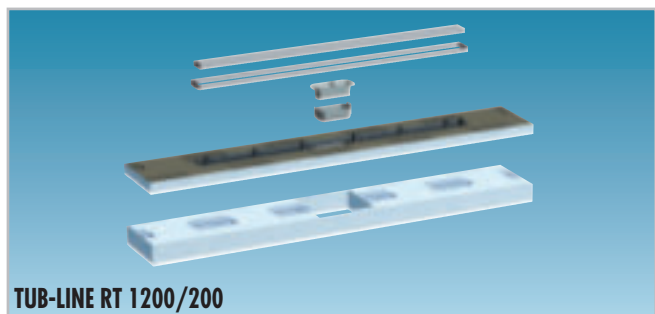
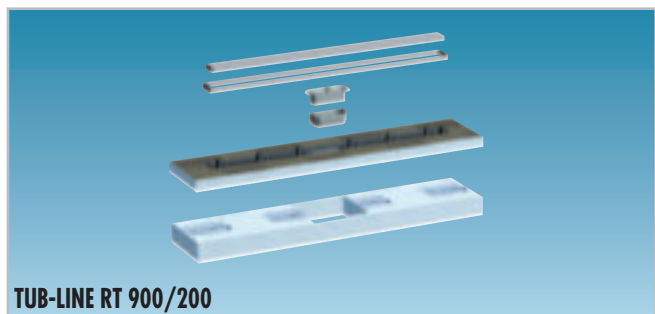
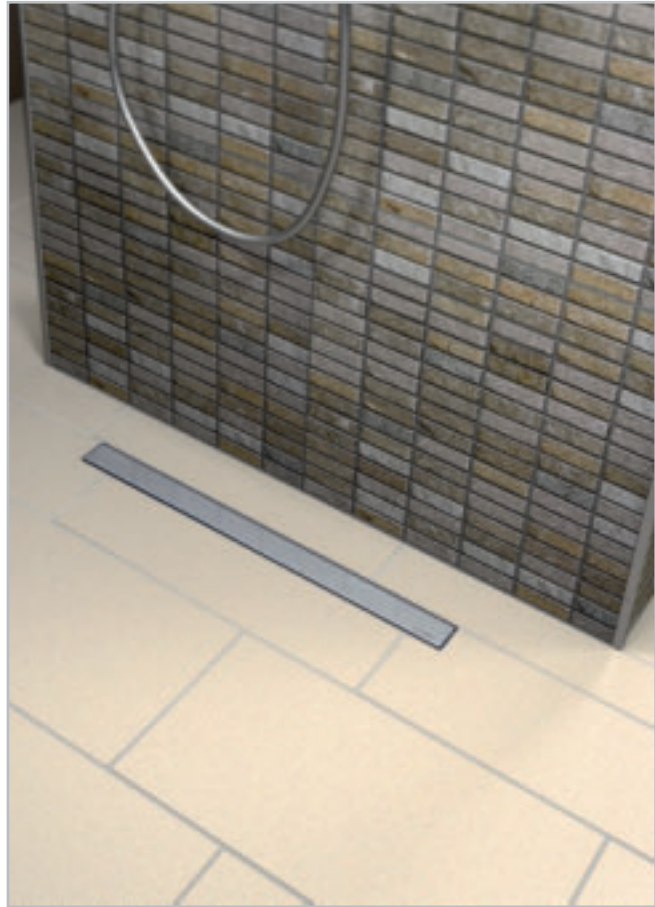
Hard foam channel support element, with integrated and sealed floor channel drain (2 3/4 x 29 17/32 in or 2 3/4 x 33 15/32 in). The cover rail and a loose frame as a tiling aid are made of brushed stainless steel. The cover rail can be tiled on the back. By simply turning, the desired side faces upwards (see page 62).

Height adjustability for optimal adaptation to a covering thickness of 0 13/64 – 0 43/64 in possible.

Including a 2 11/64 in high substrate element.

Sizes	Dimensions*	Channel
TUB-LINE RT 900/200	35 7/16 x 7 7/8 x 1 3/16 in	2 3/4 x 29 17/32 in
TUB-LINE RT 1200/200	47 1/4 x 7 7/8 x 1 3/16 in	2 3/4 x 33 15/32 in

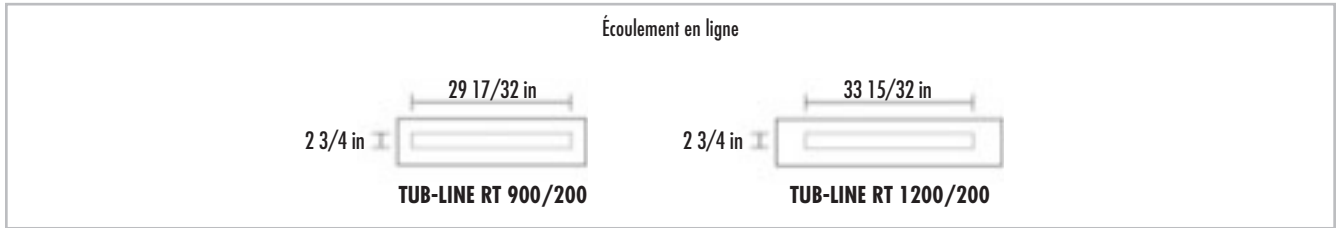
*Height without substrate element



■ PRODUCT SPECIFICATIONS – LUX ELEMENTS®-TUB-LINE RT

TUB-LINE RT, hard foam channel support elements, with integrated and sealed floor channel drain 2 3/4 x 29 17/32 in or 2 3/4 x 33 15/32 in, cover rail brushed stainless steel, with odour trap, height adjustable with height adaptor from 0 13/64 – 0 43/64 in. Floor drain supports and accessories see page 74.

ARTICLE-NUMBER	ARTICLE-NAME / ARTICLE-DESCRIPTION	NOMINAL FORMATS/DIMENSIONS WIDTH x LENGTH x HEIGHT	UNIT
----------------	------------------------------------	--	------



	<p>LTUBE95001 TUB-LINE RT 900/200 Hard foam channel support element, with floor channel drain 2 3/4 x 29 17/32 in, including substrate element</p>	<p>channel support element: 35 7/16 x 7 7/8 x 1 3/16 in, substrate element: 35 7/16 x 7 7/8 x 2 11/64 in</p>	set
	<p>LTUBE95003 TUB-LINE RT 1200/200 Hard foam channel support element, with floor channel drain 2 3/4 x 33 15/32 in, including substrate element</p>	<p>channel support element: 47 1/4 x 7 7/8 x 1 3/16 in, substrate element: 47 1/4 x 7 7/8 x 2 11/64 in</p>	set

! The design of descending gradients and directions belongs to planning services.

System components COL, DRY



TUB-LINE H – Flush with the floor shower bases for the use on wooden sub-constructions

In buildings concrete floors are not always found in bathrooms. Due to national circumstances or for ecological planning reasons, it may occur that a wooden planking on a bearing structure serves as substrate for a shower base.

For this application purpose, LUX ELEMENTS offers the models TUB-LINE H... (square or rectangular). Both models are equipped with a sealed-in floor channel drain $2\frac{3}{4} \times 29\frac{17}{32}$ in on the short side.

With an installation height of $0\frac{25}{32} / 1\frac{3}{16}$ in and a build-in 4-sided gradient, these shower bases are particularly flat and can be easily integrated into existing wooden floors.



Design cover rail

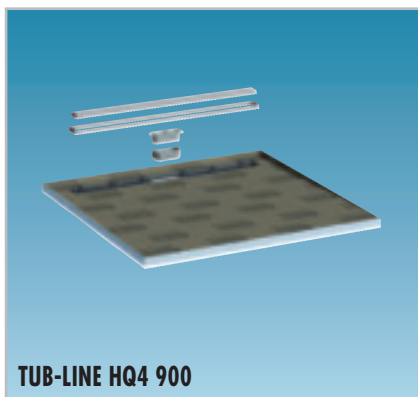
The system offers two design options due to a reversible channel cover rail. One side has a brushed stainless steel surface, the other can be tiled to match the entire shower base. By simply turning, the desired side faces upwards (see page 62).

Height-adjustable for optimum adaptation to covering thickness

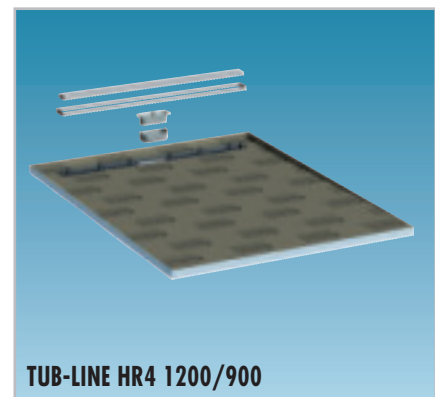
Separately provided adapters that can be cut as required enable height adjustability of the channel for surface covering thicknesses from $0\frac{13}{64}$ to $0\frac{43}{64}$ in.

See also TUB-H page 54.

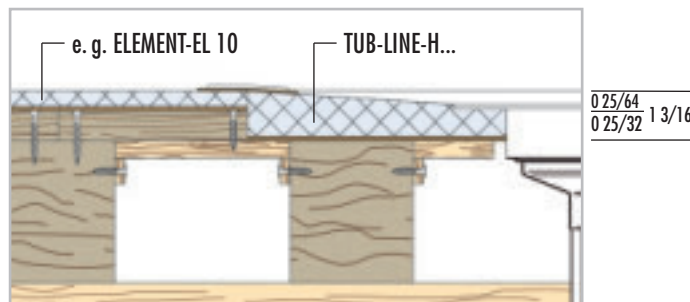
Note: A planning expert is to be consulted when intervening in components with load-bearing function. Furthermore, national guidelines and generally recognised codes of practice must be observed.



TUB-LINE HQ4 900



TUB-LINE HR4 1200/900

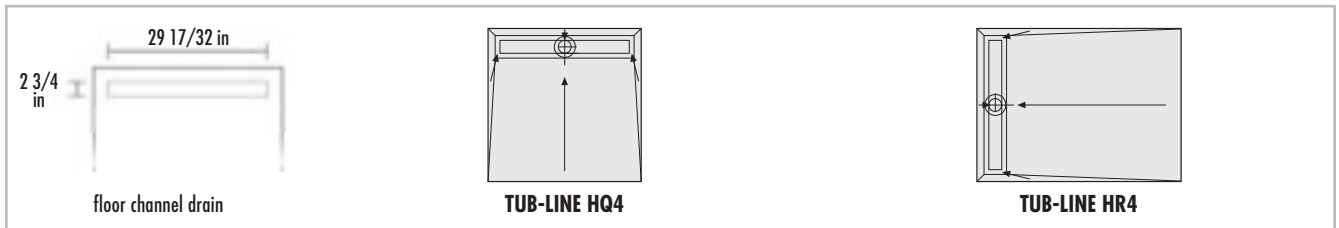


Please note: Dimensions in inch. Measures without adhesive coating and tiles.

■ PRODUCT SPECIFICATIONS – LUX ELEMENTS®-TUB-LINE H

TUB-LINE H, hard foam shower base elements, square or rectangular, with integrated and sealed floor channel drain 2 3/4 x 29 17/32 in on shorter side, cover rail brushed stainless steel, with odour trap, height adjustable with height adapter from 0 13/64 – 0 43/64 in, for the use on wooden floor constructions. Floor drain supports and accessories see page 74.

ARTICLE-NUMBER	ARTICLE-NAME / ARTICLE-DESCRIPTION	NOMINAL FORMATS/DIMENSIONS WIDTH x LENGTH x HEIGHT	UNIT
----------------	------------------------------------	---	------



	LTUBE96001 TUB-LINE HQ4 900 Hard foam shower base element with floor channel drain, square, with 4-sided gradient, standard format	35 7/16 x 35 7/16 x 0 25/32 / 1 3/16 in	piece
	LTUBE96002 TUB-LINE HR4 1200/900 Hard foam shower base element with floor channel drain, rectangular, with 4-sided gradient, standard format	47 1/4 x 35 7/16 x 0 25/32 / 1 3/16 in	piece

! The design of descending gradients and directions belongs to planning services.

System components COL, DRY



TUB-LINE BOL – Shower bases as a substitute for bath tubs

Showers are in line with the trend. More often they are preferred to bath tubs. This has not only optical but also economical, practical and health-oriented reasons.

When redeveloping or renovating, bath tubs – often built into niches – are willingly exchanged for shower bases in a long format.

The system TUB-LINE BOL is the optimum solution for such applications, if a shower base with line drainage is requested.

Design cover rail

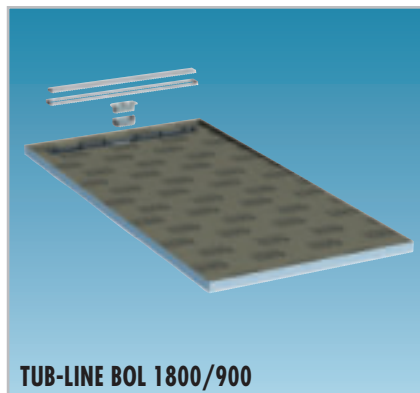
The system offers two design options due to a reversible channel cover rail. One side has a brushed stainless steel surface, the other can be tiled to match the entire shower base. By simply turning, the desired side faces upwards (see page 62).



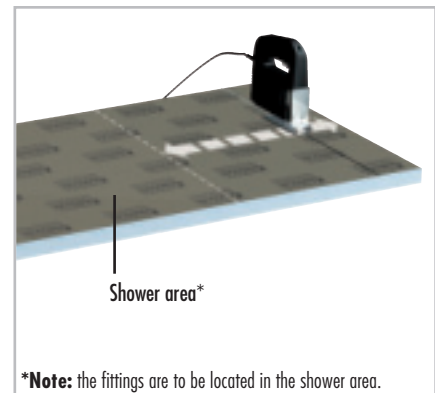
Height-adjustable for optimum adaptation to covering thickness

Separately provided adapters that can be cut as required enable height adjustability of the channel for surface covering thicknesses from 0 13/64 to 0 43/64 in.

See also TUB-BOL page 56.



TUB-LINE BOL 1800/900

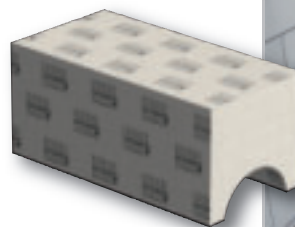


*Note: the fittings are to be located in the shower area.

Accessories

As an option, you can add to all systems matching seats made of hard foam support elements (e.g. MODUL-BA-SOLO, see page 115).

We will be pleased to compile the appropriate mounting accessories for you. Please contact us!

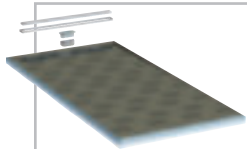
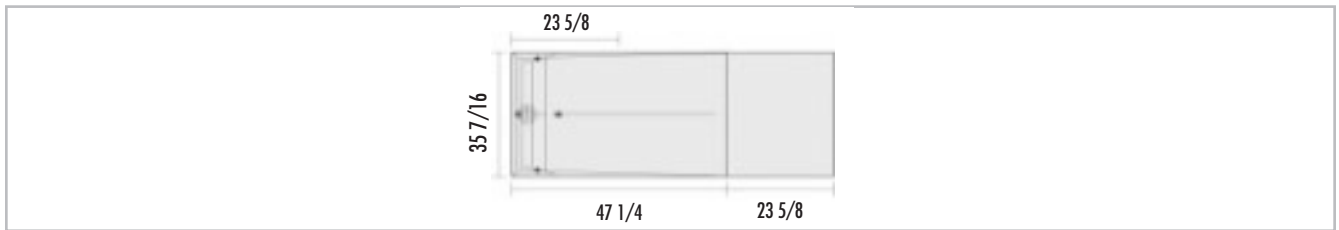


MODUL-BA-SOLO

■ PRODUCT SPECIFICATIONS – LUX ELEMENTS®-TUB-LINE BOL

TUB-LINE BOL, hard foam channel support elements, with integrated and sealed floor channel drain 2 3/4 x 29 17/32 in on shorter side, cover rail made from stainless steel, with odour trap, height adjustable with height adapter from 0 13/64 – 0 43/64 in, for the substitution of bath tubs
 Floor drain supports and accessories see page 74.

ARTICLE-NUMBER	ARTICLE-NAME / ARTICLE-DESCRIPTION	NOMINAL FORMATS/DIMENSIONS WIDTH x LENGTH x HEIGHT	UNIT
----------------	------------------------------------	--	------



LTUBE97001	TUB-LINE BOL 1800/900 Hard foam shower base element with floor channel drain, with 4-sided gradient, can be cut to length to minimum 35 7/16 x 47 1/4 in, slope area from 35 7/16 x 47 1/4 in	70 55/64 x 35 7/16 x 1 3/16 / 1 49/64 in	piece
-------------------	---	--	-------

! The design of descending gradients and directions belongs to planning services.

System components COL, DRY



■ **PRODUCT SPECIFICATIONS – TUB-LINE FLOOR DRAIN SUPPORTS AND ACCESSORIES**

	ARTICLE-NUMBER	ARTICLE-NAME / ARTICLE-DESCRIPTION	DIMENSIONS WIDTH x LENGTH x HEIGHT	UNIT
	LTUBE1201	TUB-BA-S CST Floor drain support 2" vertical		piece

System components COL, DRY

